



1. Henseler, J., February 1981, 'Flat plate, water cooled solar collectors', Egyptian-German Workshop on Solar Collectors.
2. Cloc, D.J., 1962, 'The Performance of Solar Water Heater with Natural Circulation', Solar Energy, 6, 33-40.
3. Abdel Latif, M.H., June 1981, 'The design and construction of a flat plate water cooler solar collector', B.Sc. Project, Faculty of Engineering, Ain-Shams University, Cairo, Egypt.
4. Selcuk, M.K., 1978, 'Solar Collectors', International Symposium on Solar Energy, Cairo, Egypt.
5. Collier, R.K., 1978, 'Solar Collectors', International Symposium on Solar Energy, Cairo, Egypt.
6. Dake, J.M.K., July 1973, 'The Solar Pond Analytical and Laboratory Studies', Proceedings UNESCO Conference, Paris, Paper No. 617.
7. Talor, H., 1966, 'Minor Boosters for Solar Collectors', Journal of Solar Energy, Vol. 10, No. 3, pp. 111-118.
8. Buchberg, H., 1974, 'Natural Convection in Enclosed Spaces', ASME Paper 74 - WA/HT - 12, New York.
9. Duffie, J.A., 1974, 'Solar Energy Thermal Processes', Wiley - Interscience, pp. 29 - 43.
10. Lof, G.O.G., Jan 1962, 'Energy Balances on a Parabolic Cylinder Concentrator', Trans ASME, J. of Eng. for Power, pp. 51 - 64.
11. Francia, G., 1968, 'Pilot Plants of Solar Steam Generating Stations', Int. Solar Energy, Vol. 12, pp. 51 - 64.
12. Rall, A., 1976, 'Comparison of Solar Concentrators', Solar Energy, 18, 93.
13. Winston, R., 1974, 'Solar Concentrators of a Novel Design', Solar Energy, 16, 89.
14. Bienert, W.B., 1976, 'Heat Pipes Applied to Flat Plate Solar Collectors', Final Report for ERDA Contract No. E (11 - 1) - 2604, Report No. COO/2604-76/1.
15. Lin, R.J.H., 1977, 'Optimization of Countings for Flat Plate Solar Collectors', Final Report for ERDA Contract No. EY-76-0-02-2930-000, Report No. COO-2930-12.
16. ASHRAE A 71 Method of Testing to Determine the Thermal Performance of Solar Collectors, ASHRAE Standard 93-77, New York.



17. SBP, Handbook of Adhesives
by SBP Board of Consultants and Engineers
Small Business Publications, SBP Building
4/45, Roop Nagar, DELHI - 110007
18. Handbook of Adhesives (Second Edition)
by Irving Skeist
Van Nostrand Reinhold Company
19. Metals Handbook, ASM, Vol. 1, V ed., p 48
20. H. Tabor
Solar Energy, 20 (4), 293 (1978)
21. J.A. Duffie and W.A. Beckman
Solar Energy of Thermal Processes
Wiley Interscience, New York, 1980
22. W.C. Swinbank
Quarterly Journal of the Royal Meteorological Society,
89, 1963
23. R. Gani, D. Proctor and J.G. Symons
Solar Energy, 26, 271 (1981)
24. J.W. Dally, W. Riley and K. McConnell
Instrumentation for Engineering Measurements
J. Wiley and Sons, 1984
25. J.H. Watmuff, W.S. Charters and D. Proctor
C . O . M . P . L . E . S
Int. Revue d'Heliotechnique
p 56, 2nd, Sept. 1977
26. J.R. Lloyd and W.P. Moran
Natural Convection Adjacent to Horizontal Surfaces
of Various Planforms
TASME, Journal of Heat Transfer, 96, 443 (1974)
27. K.G. Hollands, T.E. Unny, G.D. Raithby and L. Konick
Free Convection Heat Transfer Across Inclined Air Layers
TASME, Journal of Heat Transfer, 98, 189 - 193 (1976)
28. J.F. Kreider and F. Kreith
Solar and Energy Handbook
4-1 - 4-51, McGraw Hill Co. 1981

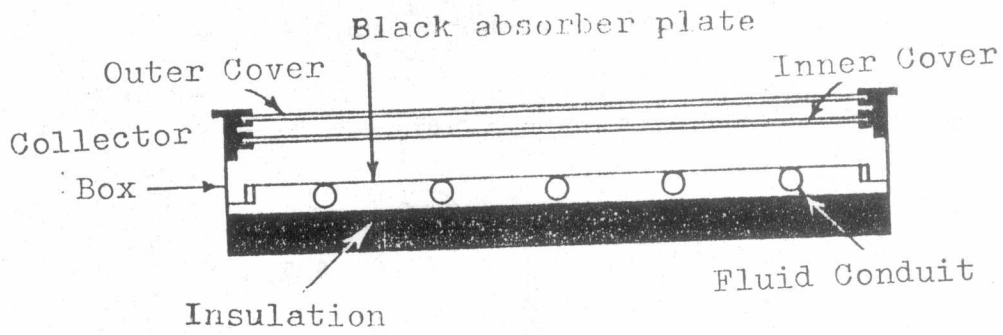


Fig. 1 The main components of a flat collector

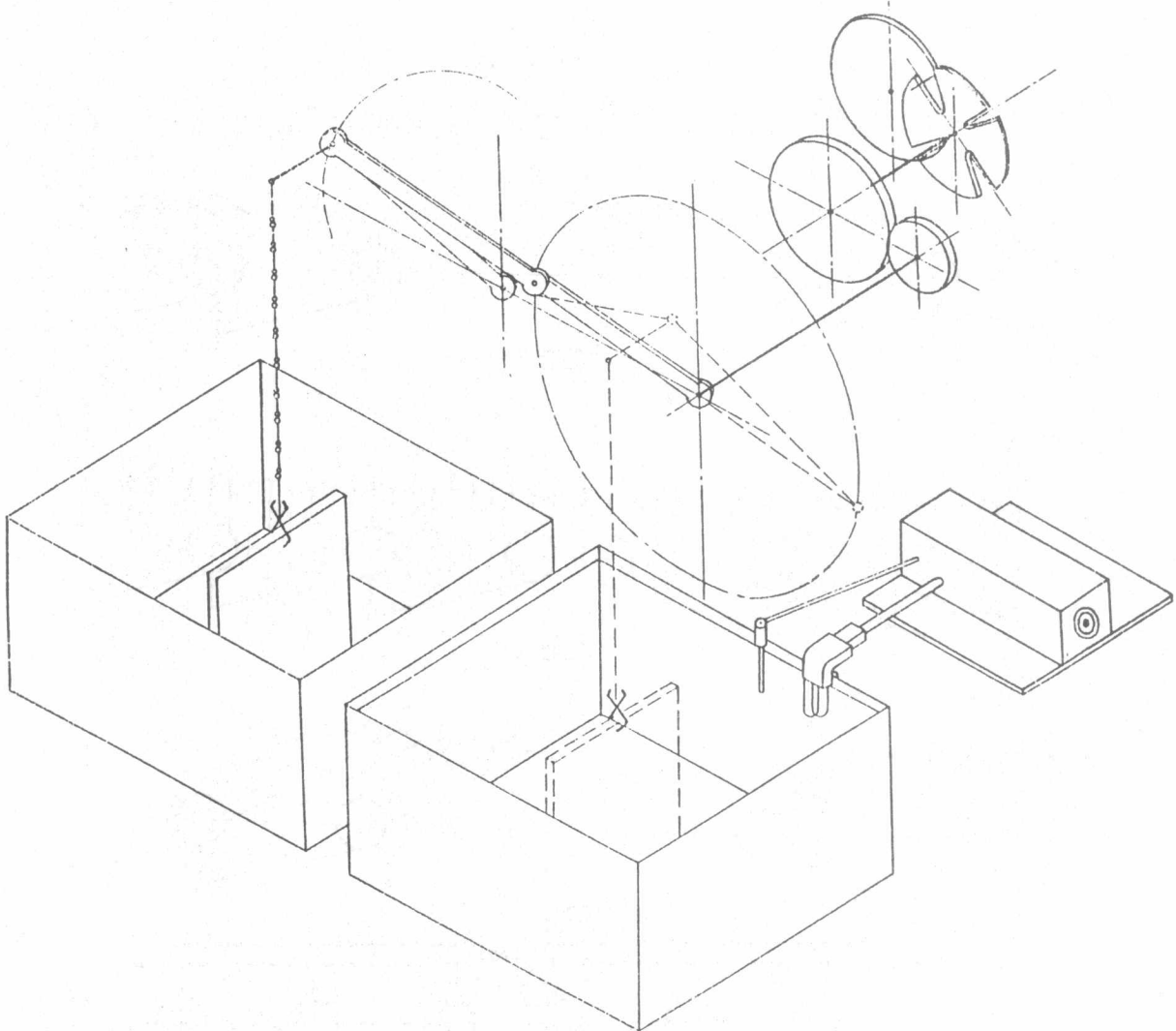


Fig. 2 Thermal fatigue test rig

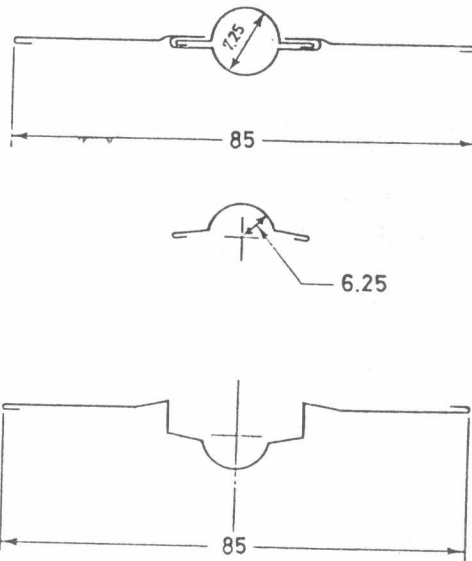


Fig. 3 Absorber panel 1st design, mechanical seem joint

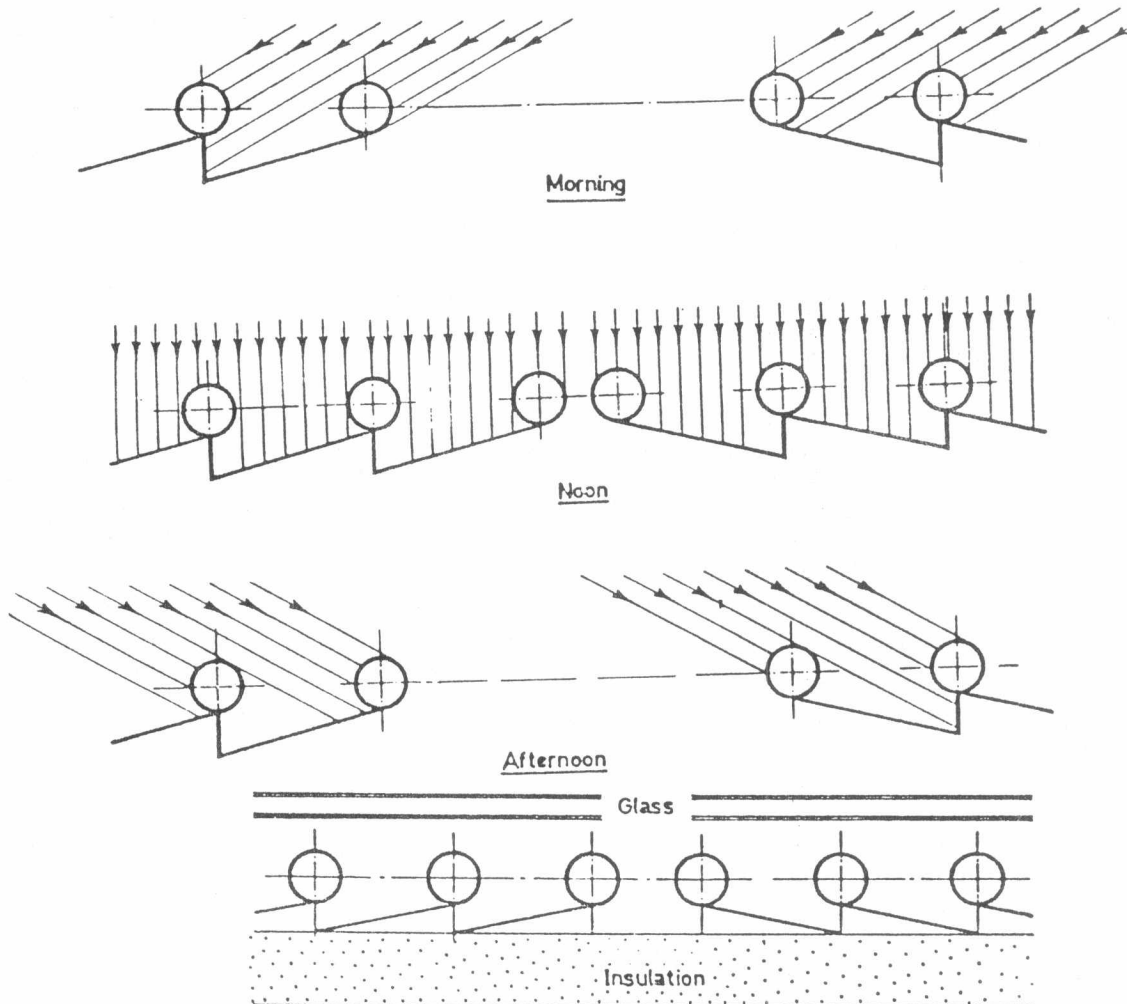


Fig. 4 Absorber panel 2nd design, joining by clamping

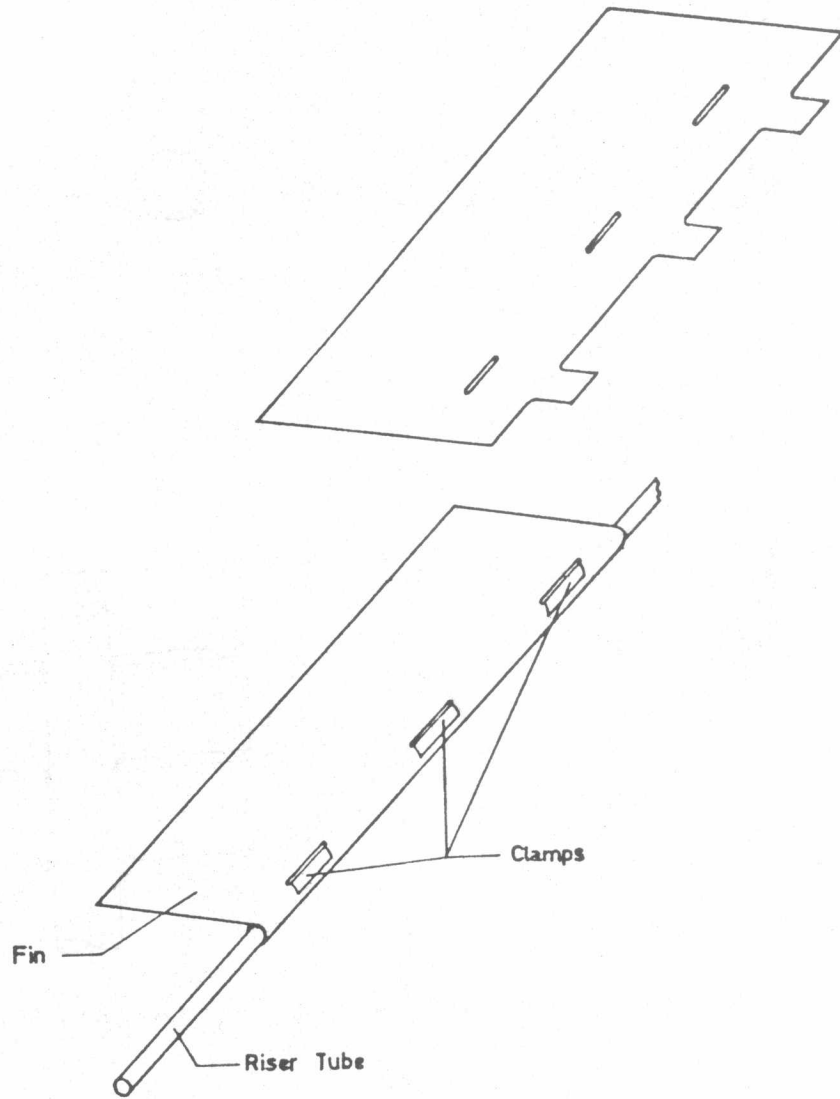


Fig. 5 Clamping terminals in the fins

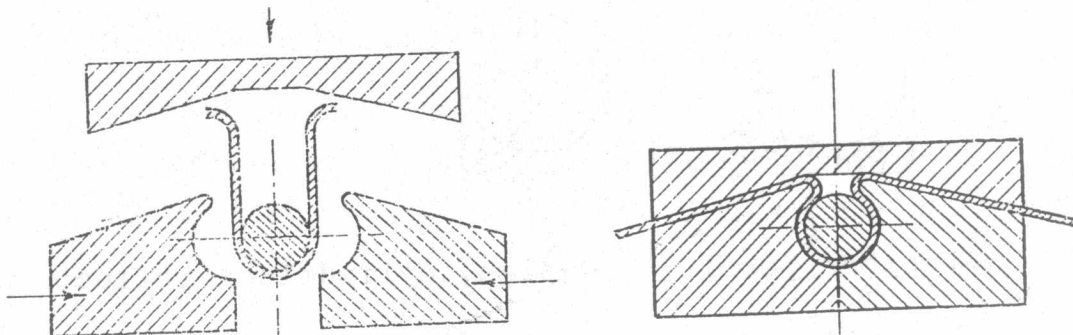


Fig. 6 Absorber panel 3rd design, joining by clipping

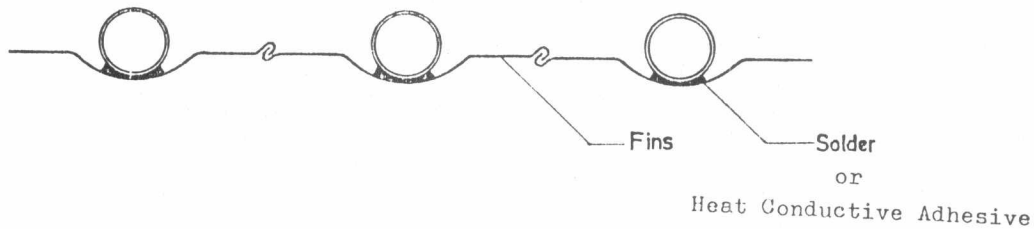


Fig. 7 Absorber panel 4th design, joining by adhesion or soldering

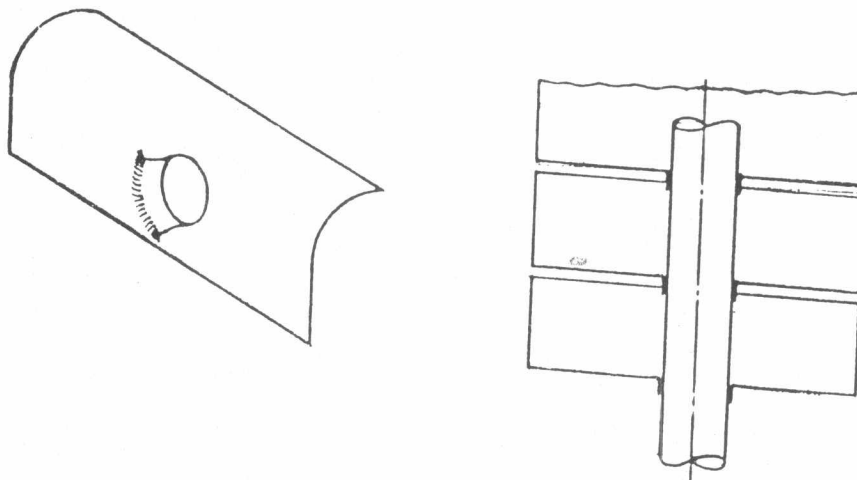


Fig. 8 Absorber panel 6th design, force fitted strips

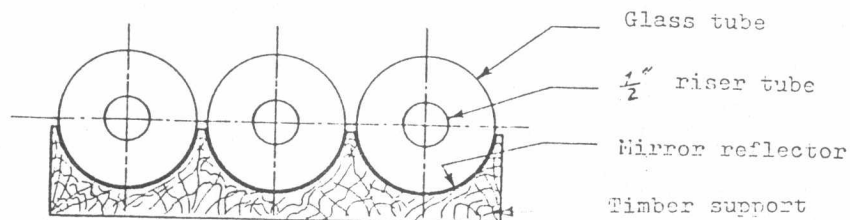


Fig. 9 Absorber panel 7th design, cylindrical reflectors

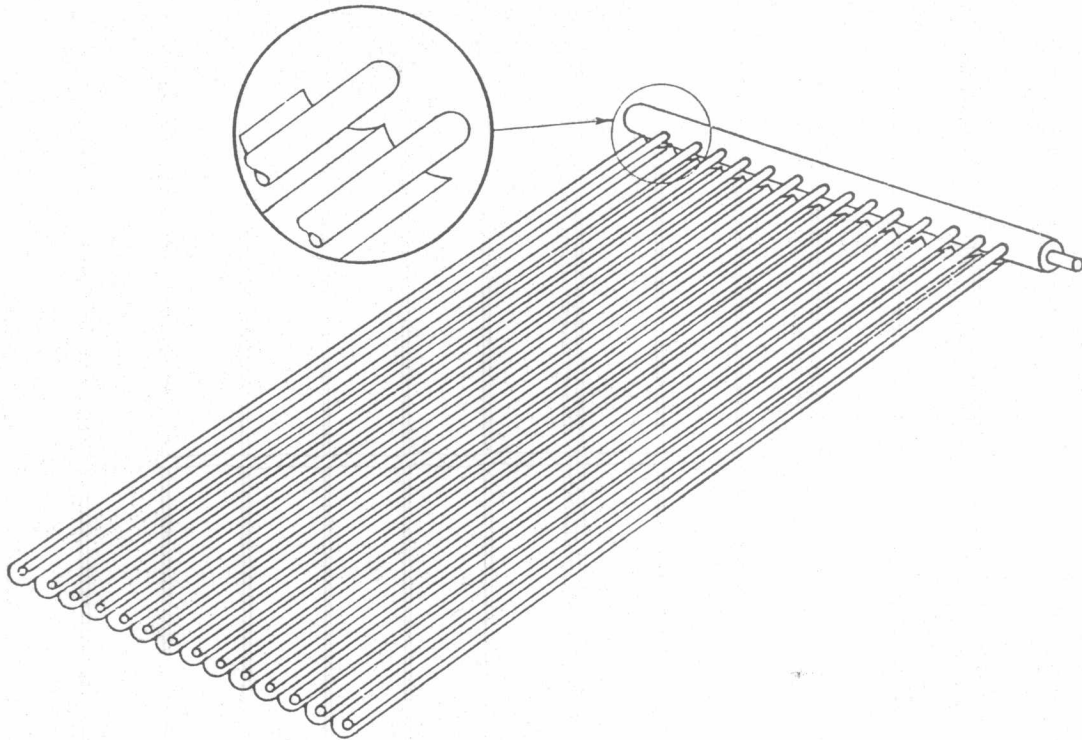


Fig. 10 Absorber Panel 8th design, parabolic reflectors

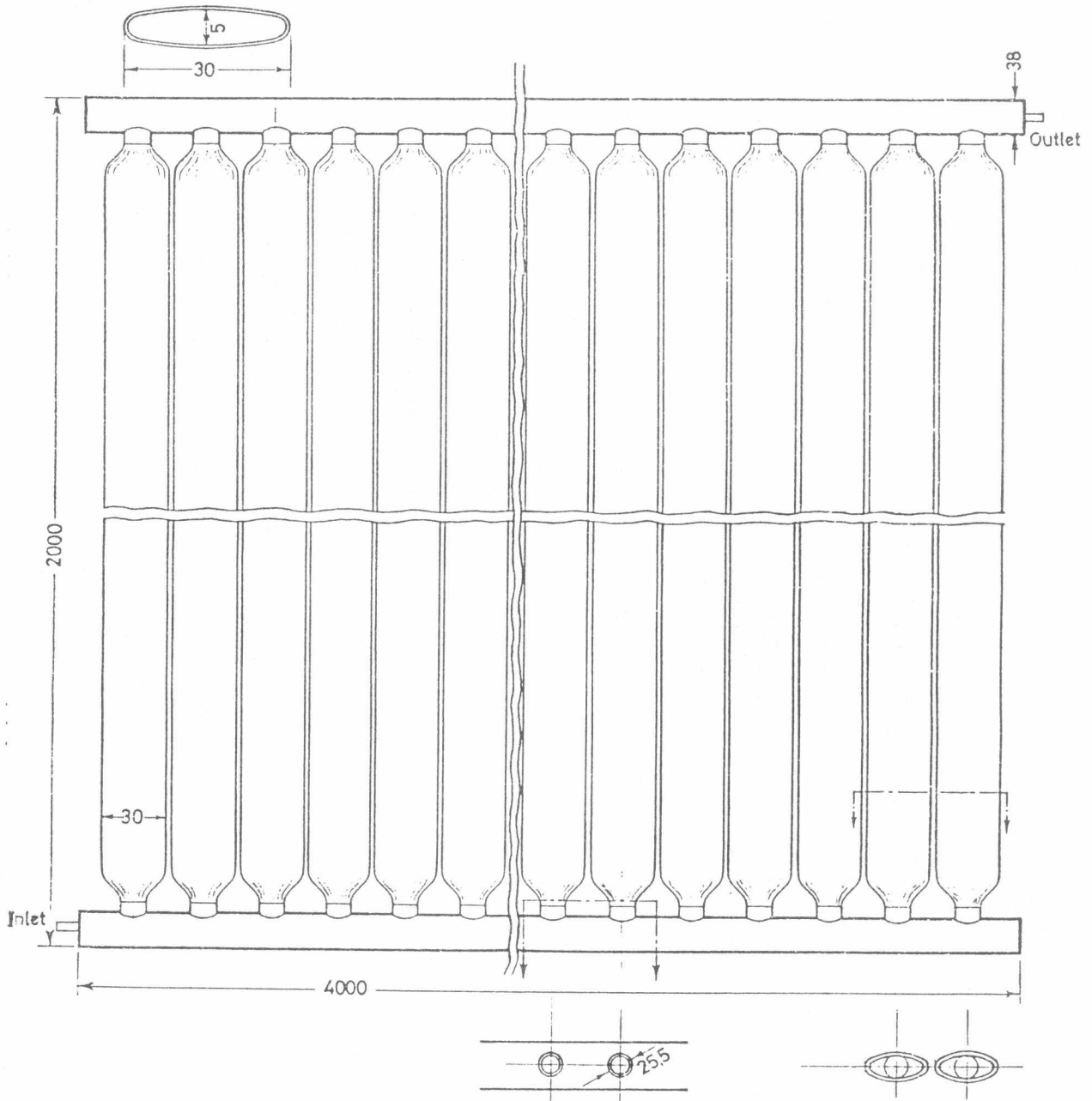


Fig. 11 Absorber panel 9th design, elliptical risers

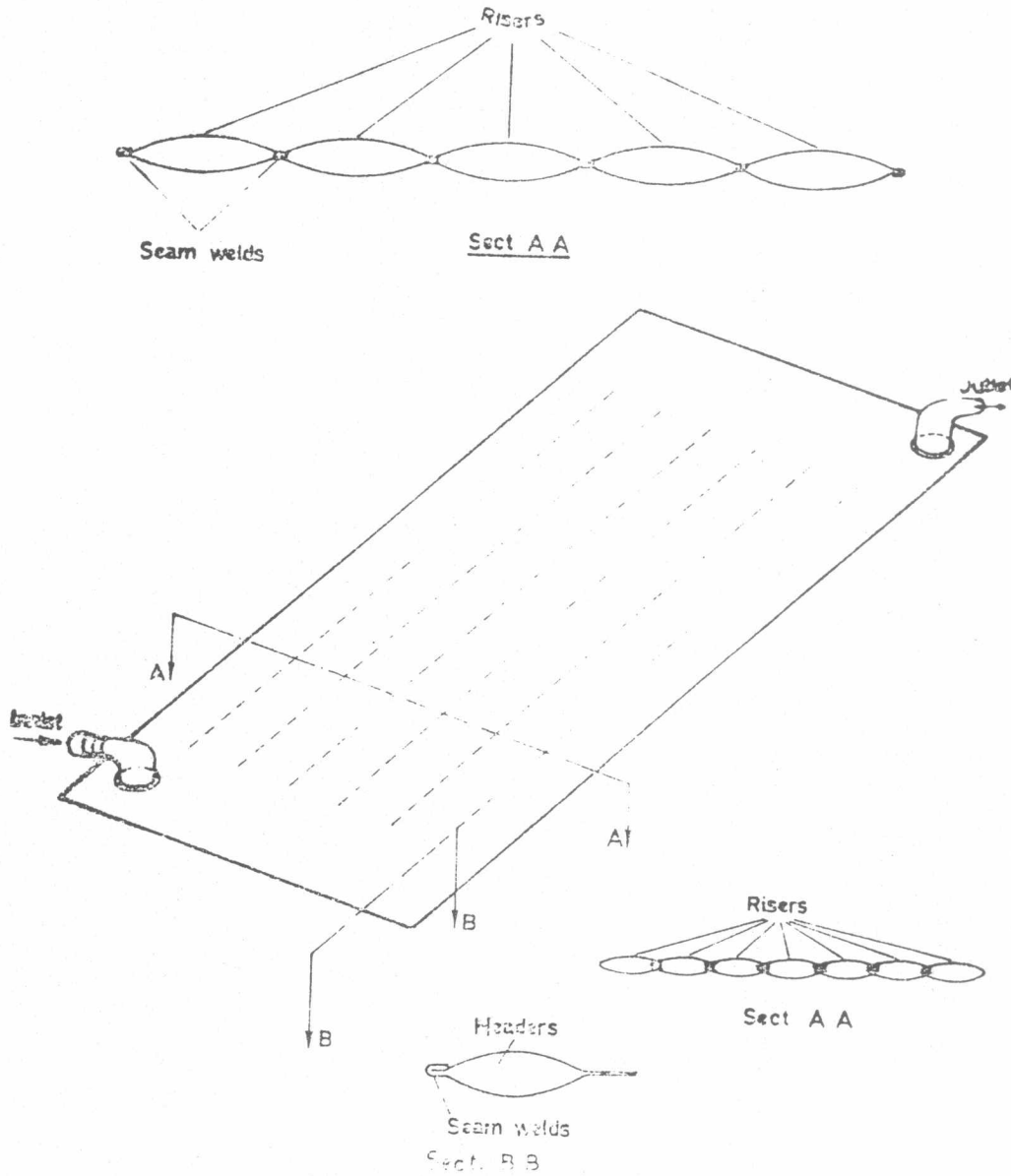


Fig. 12 Absorber panel 11th design, wet plates design

