

The Collection of Ottoman Tobacco Pipes from Azov Museum-Reserve in Russia

Dr. Walid Ali Khalil *

Irina Rudolfovna Gusach *

Abstract:

The Azov museum-reserve (Azov city, the Russian Federation) holds more than 1000 examples (intact ones and fragments) of clay tobacco pipes. All of them are from the excavations carried out on the territory of the former Ottoman fortress Azak (Azov old district) and its surroundings. Until recently, this archeological material has been left unstudied and has not been put into scientific use. The great bulk of finds (over 80%) are Muslim (Turkish) tobacco pipes. These are pipes made by the ceramics craftsmen on the territory of the former Ottoman Empire (Asia Minor, the Crimea, Balkans). They were widely used by the military garrison of the Turkish fortress Azak in private daily life. All in all, Muslim tobacco pipes were discovered by the archeologists in Azov in the cultural layers of XVII – the beginning of XIX centuries. The pipes from four “closed” complexes (three pits and a burial) discovered in 1998-2004 are dated by the end of XVII – the beginning of XVIII centuries according to the coin material. The majority of the tobacco pipes are abundantly ornamented splendid examples of the Muslim ceramics art. Some of them have stamps of their makers and Ottoman inscriptions made in Arabic calligraphy. The variety of pipe “fashions” is highly considerable. A number of the pipes are flower-shaped: as a tulip, a lily, a narcissus,

* Associate Professor, Head of Islamic Monuments Department, Faculty of Archaeology, Manager of FLDC, Fayoum University, Egypt.
waliid.ali@fayoum.edu.eg

* Senior staff scientist of the Azov Museum-Reserve, Russia,
irinagusach3005@gmail.com

a chrysanthemum. The pipes' dimensions vary from the smallest (3.8x2.3 cm) to fairly big (6.0x4.2 cm) ones.

Keywords: The Ottoman Empire - The Azak fortress – Azov - tobacco pipes - XVII - the beginning of XIX centuries - archeology.

1. Introduction

During the 50-year period of the archeological research of the former Turkish fortress Azak territory and its surroundings in Azov city (Rostov region, Russia), there has been built up an impressive collection of clay tobacco pipes (over 1000 pieces). There are both intact examples and fragments. The main part of the pipe collection is from the excavations and gatherings in 1960-1970s when the Archeological Expedition attached to the museum started their work. Those years archeological excavations became much more intense on the territory of the former Ottoman fortress which is the oldest district of the modern city. In addition to the archeological finds, the collection has pipes accidentally discovered by the Azov citizens who these days live on the territory of the former fortress (The Ottoman fortress Azak was destroyed in XVIII century).



Pic.1 Map of the Ottoman fortress Azak location (Azov, Russia)

In succeeding years the excavations on the territory of the Azak fortress were carried out at irregular intervals because of

the dense population of this part of the city. However, Azov archeologists were fortunate – in 1998 and 2001 they succeeded in exploring three “closed” complexes (2 household pits and a burial) with Turkish tobacco pipes (excavations by A. Maslovsky). The data of the archeological complexes are valuable because they were the first locations where the Ottoman tobacco pipes were discovered which could be narrowly dated by the coin material (the end of XVII – the beginning of XVIII centuries). Until then pipes in Azak had been discovered only in the cultural layer which had been very much disarranged during the fortification works on the fortress territory at the end of XVII –XVIII centuries and had contained objects of various ages and nations (mainly, Turks and Russians). As a whole, this layer was dated by XVI – XVIII centuries⁽¹⁻⁵⁾.

2004 turned out to be the most fortunate year for archeologists. Over 300 clay Turkish tobacco pipes (intact ones and fragments) were discovered during the exploration of a small ground area (84 sq.m) in 3 Genuezskaya Street on the territory of the former fortress Azak (excavations by I. Gusach). The greater part of them was taken from a landfill located near the ruins of a building which presumably had been an Ottoman guardhouse. 14 of the examples had the stamps of their makers.

One of the pipes in perfect condition was ornamented with an inscription in Old Ottoman language. The presence of the

⁽¹⁾ Kazakova (L. M.), The report on the works of the Azov Museum-Reserve during the observations of the excavation works in Azov in 1961 (The AMR Archives), Azov, 1962, pp. 87-92.

⁽²⁾ Maslovsky (A.N.), The report on the rescue excavations of the I Azov team in the area of a private dwelling house in 15 Engelsa street, Azov in 1998 (The AMR Archives), Azov, 1999, p. 43.

⁽³⁾ Maslovsky (A.N.), The works of the I Azov team in 1998, HARALD in 1998. Issue 16. Azov, 2000, pp. 115-120.

⁽⁴⁾ Maslovsky (A.N.), Excavations in Azov, HARALD in 2001. Issue 18. Azov, 2002, pp. 212-223.

⁽⁵⁾ Gusach (I.R.), Close complexes with the “Turkish” tobacco pipes from Azov, HARALD in 2001. Issue 18. Azov, 2002, pp. 368-389.

coins ensured that the pipes from the excavation in 2004 were dated by the end of XVII – the beginning of XVIII centuries (the earliest coin was an akçe by Suleiman II (1690-1691), the latest one was a beşlik by Selâmet Giray II (1740-1743)). Such a big collection of the Muslim tobacco pipes in a small area explored by the archeologists testifies that they were widely used by the Turkish garrison of the fortress in their private daily life⁽⁶⁻⁷⁾.

However, it is well known that the Oriental tradition of smoking pipes (along with the tradition of drinking coffee) widely spread among the Cossacks of Podonye in XVII-XVIII. At first local Cossacks smoked Turkish pipes, later they learned how to make their own pipes as well as Zaporozhye Cossacks (present-day territory of Ukraine)⁽⁸⁻¹¹⁾. Judging by the finds of the Don archeologists, in XVII-XVIII centuries both soldiers and officers of the Russian Army would also smoke self-made Ukrainian, Ottoman and even Dutch clay pipes⁽¹²⁻¹⁸⁾.

⁽⁶⁾ Gusach (I.R.), The archeological researches on the territory of the Turkish fortress Azak, *HERALD* in 2004. Issue 21, Azov, 2006, pp. 127-141.

⁽⁷⁾ Gusach (I.R.), The Ottoman tobacco pipes from the excavations in the Azak fortress, The new researches of the Cossack period memorials in Ukraine. Issue 22. Kiev, 2013, pp. 379-383.

⁽⁸⁾ Kovalenko (O.), Clay pipes of XVII-XVIII centuries (on the materials of the Poltava region). The academic series of the “Ukrainian ceramics studio”. Issue 1. Opishnya, 2008.

⁽⁹⁾ Kravchenko (E.E.), Dukhin (A.I.), Ceramics pipes and fine plastic arts of the Kazachya Pristan’ settlement (Cossack Warf), Interethnic cultural connections in Donbass: history, ethnography, culture, Donetsk, 2000, pp. 147-157.

⁽¹⁰⁾ Chekanovsky (A.A.), Ceramics tobacco pipes of XVII-XVIII centuries of the Middle Dnieper and the Crimea, Ukraine and Turkey, Kiev, 2003, pp. 86-88.

⁽¹¹⁾ Chekanovsky (A.A.), Chmil’ (L.V.), Pipes from the excavations of Gonchariv-Kozhummyak (in Kyiv-Podil), The Eastern European archeological magazine, Kiev, 2000, pp. 111-113.

⁽¹²⁾ Kravchenko (S.A.), The report on the archeological explorations in Azov, Rostov region, in 29 Suvorova street and Moskovskaya street areas in 2009 (The AMR archives), Azov, 2010, pp. 221-223.

⁽¹³⁾ Kravchenko (S.A.), Shyrochenko (E.B.), Goncharova (S.M.), Excavations in Azov in 2010, *HERALD* in 2010. Issue 26, Azov, 2012, pp. 178-214.

⁽¹⁴⁾ Gusach (I.), New finds from the excavations of the Turkish fortress Azak, 4-th International Congress of Eurasian Archaeology, Agsu-Azerbaijan, Baku, 2015, pp. 140-152.

For a long time the Muslim tobacco pipes collected in the Azov Museum-Reserve within the period of half a century have remained a scantily investigated category of archeological finds. The complexity of their research was connected with the absence of Russian specialists in the Ottoman ceramics art of XVII-XVIII centuries, and first and foremost – in the fine clay plastic art. There was no scientific literature necessary on the subject; and there were no specialists capable of reading Arabographic inscriptions on the pipe stamps.

The aim of this research lies in studying of the Ottoman tobacco pipes collected from the excavations and gatherings in medieval Azak. And not only as daily life objects of the fortress residents but also as highly artistic examples of the Muslim ceramics art of XVII-XVIII centuries. Some of the pipes are genuine masterpieces of the art. The authors studied the history of origin of the Ottoman tobacco pipes, technology of their manufacturing; and for the first time in Russia they made an attempt to compose a classification of the data on archeological finds

2. History of origin of the Ottoman tobacco pipes

The tradition of smoking pipes has gone through more than a hundred years. Tobacco pipes are considered to have been brought to the territory of the Ottoman Empire at the beginning

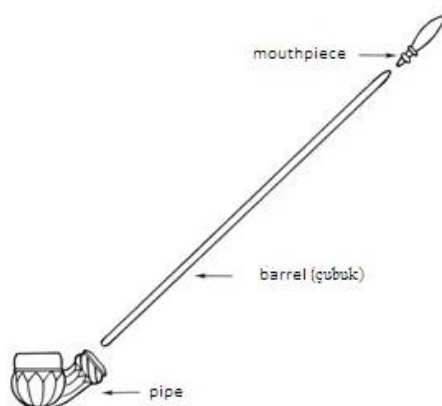
⁽¹⁵⁾ Goncharova (S.M.), Goncharov (M.Yu.), Yermolayenko (M.V.), Maslovsky (A.N.), Minaev (A.P.), Archeological researches in Azov in 2012, HERALD in 2012. Issue 28, Azov, 2014, pp. 142-162. Rehab Shaban Gad, Adwat Al Tadkhen fe Masr fe Alkarn (13-19), Master thesis, Faculty of arts, Ain Shams University, Cairo, 2015, pp. 95-105.

⁽¹⁶⁾ Maslovsky (A.N.), The report on the rescue archeological excavations in Azov in 2008 (The AMR archives). Vol. 1, Azov, 2010, pp. 46-64.

⁽¹⁷⁾ Larenok (V.A.), Excavations on the territory of the fortress in Rostov-on-Don, HERALD in 2006. Issue 23, Azov, 2008, pp. 214-226.

⁽¹⁸⁾ Larenok (V.A.), Larenok (P.A.), Household items of the end of XVIII – the beginning of XIX centuries from the refilling of a foundation ditch of the soldier's barracks in the Dmitry Rostovsky fortress, Archeological notes of the Don Archeological Association. Issue 7, Rostov-on-Don, 2011, pp. 315-332.

of XVII century from Western Africa, to be more specific – from Egypt. Western African pipes consisted of three parts. Actually they looked like a smoking set consisting of three parts: a small clay tube (a head); a long narrow wooden hollow barrel (“çubuk” in Turkish) and a mouthpiece. The mouthpiece frequently had a many-part structure and could be made of various materials: bone, amber, coral and others. In Egypt such tobacco pipes became everyday objects in 1601-1603. On the territory of Porta they appeared approximately in 1605. However, a number of scientists (American researcher Rebecca Robinson, for instance) referring to their sources believed it had happened much earlier – in 1599⁽¹⁹⁾. One way or another, three-sectional tobacco pipes became gradually widespread: at first in Asia Minor, then in Balkans and along the whole Black Sea coastline. In the course of time they reached the territories of Europe and Russia, where they would be called “Turkish” or “Ottoman”. And when in XIX century everything “Oriental” became fashionable, they started to be called “pipes of the Oriental type”. Muslim pipes can be seen on the canvases of many European and Russian artists of the period.



Pic.2. The structure of a tobacco pipe of the “Oriental type”

⁽¹⁹⁾ Robinson (R.), Tobacco pipes of Corinth and of the Athenian Agora, *Hesperia*. Vol. 54, no. 2, 1985, p. 87.

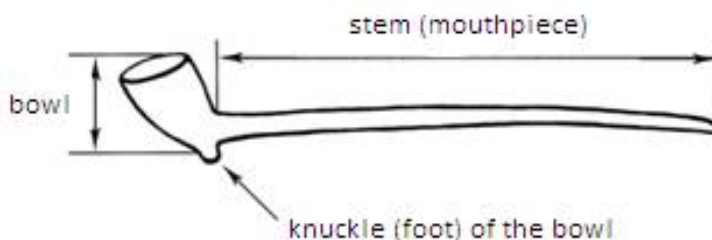
(Robinson R., Clay tobacco pipes from the Kerameikos, *Mittelungen des Deutschen Archaologischen Instituts Athenische Abteilung*, Bd. 98, Berlin, 1983)



Pic.3. Arhonte Grec. Berlin, 1831 (BNF)

In the European countries of XVII-XVIII centuries it was common to smoke clay pipes of Dutch or English manufacture which differed fundamentally in their morphology and manufacturing technique from those of Ottomans.

All of them were unit-cast and one-piece and were made of high-quality white clay ⁽²⁰⁾. Their images remained on the canvases of the Dutch painters of XVII-XVIII centuries.



Pic.4. The structure of a Dutch pipe

(Robinson R., Clay tobacco pipes from the Kerameikos, *Mittelungen des Deutschen Archaologischen Instituts Athenische Abteilung*, Bd. 98, Berlin, 1983)

⁽²⁰⁾ Rebrova (R.V.), White clay tobacco pipes in the collection of the State Hermitage, *Studies of the State Hermitage, Saint-Petersburg*, 2011, p. 117.

- Abd El Naser Yassen, *Magamer shobok moktashafa fe mantekat Al Gabal Al Gharby b Asute, Megalat al Ethad Alaam Llasaryen al Arab*, Cairo, 2015, p. 217.



Pic.5. Dutch. Paris, 1797 (BNF)

It is historically known that in 1633 the Turkish sultan Murad IV (reign years: 1623-1640) put a ban on smoking as a result of great fires that had happened because of careless handling of fire while smoking. But despite all strict prohibitions, pipe smoking proved to be unstoppable. So called “coffee houses” (cafes) where people would spend their time drinking coffee, talking and smoking pipes rapidly spread all over the Ottoman country. So, in 1646 under the reign of the sultan Ibrahim I (1640-1648) a decree was issued abolishing all prohibitions on tobacco smoking and coffee because they were bringing a large profit to the treasury of the country.

Soon this harmful habit of tobacco smoking covered all strata of the Turkish society. Both men and women would smoke pipes. But while men were allowed to smoke in public places, women could do it only at home or in a hamam. For example, pictures of women smoking pipes can be seen on highly glazed pottery dishes decorated with designs which were made in XVIII

century by the Armenian craftsmen at the famous Ottoman ceramics center Kütahya ⁽²¹⁾.



Pic.6. A dish with the picture of a woman with a pipe. Kütahya, XVIIIc. (Akalin Ş., Yılmaz Bilgi H. Suna ve Inan Kıraç koleksiyonunda Kütahya seramilleri, Yadigâr-ı Kütahya, İstanbul, 1997)



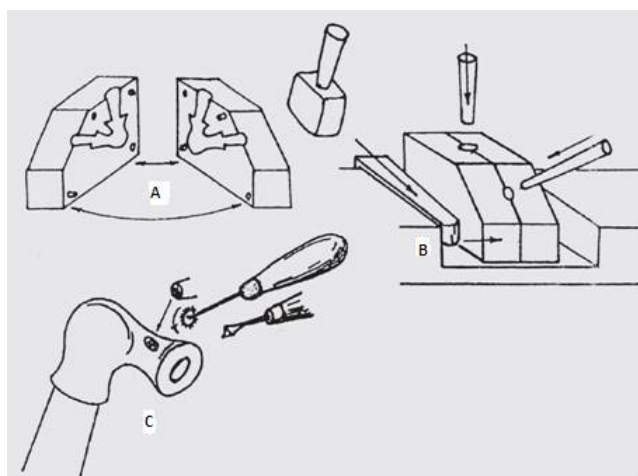
Pic.7. Turk with a pipe (from the miniature of XVIII c.)

3. Manufacturing technology of the Muslim tobacco pipes

There exists an opinion that it was the Ottomans who worked out a new technology of manufacturing tobacco pipes in

⁽²¹⁾ Akalin (Ş.), Yılmaz Bilgi (H.), Suna ve Inan Kıraç koleksiyonunda Kütahya seramilleri, Yadigâr-ı Kütahya, İstanbul, 1997, pp. 201-206.

which they combined the traditions of the European and Western African pipe-makers⁽²²⁾. From the European craftsmen they borrowed the technique of stamping in two-sided forms of a clay pipe; from the African ones – the three-sectional structure of the whole smoking set. It means the Turks replaced a relatively long clay barrel of an European pipe with an even longer wooden barrel (“çubuk” in Turkish) which was inserted into the stem of a clay pipe. To organize the internal space of a clay pipe, they forced two “wedges” into the form (“kalıb” for Oriental people) with molding mass (well refined clay). An outlet channel for smoke connecting cavities which had formed in the pipe because of the “wedges” was in fact a little through hole of a round or a square shape (depending on the shape of a rod which had been used to pierce the clay).



Pic.8. The technology of manufacturing pipes of the “Oriental” type
(Volkov I.V. The private collection of the “Turkish” tobacco pipes from
Moscow, Material culture of the East, Moscow, 1999)

The Muslim tobacco pipes were made of high-quality clay (without any apparent mixture) of various colours: white, grey, brown, beige and even black. Like Dutch and English craftsmen,

⁽²²⁾ Volkov (I.V.), The private collection of the “Turkish” tobacco pipes from Moscow, Material culture of the East, Moscow, 1999, pp. 226-252.

Turkish makers of ceramics pipes would make their first pipes (XVII century) of white and grey clay⁽²³⁾.

To pay tribute to the European fashion, the Ottomans tried to make stems long and narrow as they made them in the West. But the “European tradition” did not settle down in the Ottoman Empire. So the Turkish craftsmen had to choose the Western African variant of a tobacco pipe which they slightly restyled after the European fashion. As a result, they created a conglomerate of the “Oriental” and “Western” (European) pipes that these days is called the “Turkish”, or the Ottoman, pipe.

Later (the end of XVII – the beginning of XVIII centuries) the Ottoman craftsmen began using in the pipe manufacture so called “red” clay widespread in Asia Minor, the Crimea and Balkans. That is the reason why practically all “late” pipes were of brown or beige clay. Judging by the archeological finds.

At the turn of XVII–XVIII centuries (the period of transition from the white clay to the “red” one) white-clay and “red-clay” pipes coexisted for a little while. The external surface of the Ottoman pipes was usually splendidly ornamented. As a rule, a simple ornament used to be standard and “was placed” directly into a stamping mould (it was carved on the internal surface of a mould). More complicated ornamental motives were drawn on the surface of a pipe by hand with special tools – tooth-wheels and embossing stamps (so called “plunge-in” ornament) after a clay pipe had been extracted out of the mould. The décor motives were geometric or floral-vegetative.

In addition to the décor, the surfaces of pipes were often subjected to glazing and engobing (covered with engobe, a special composition made of slurry). Usually the engobe on the Turkish pipes is of red, brown or “cherry” colour. Sometimes the surfaces of pipes were covered with green, olive, yellow or brown enamel over the embossing décor. To make pipes durable, they were subjected to baking.

⁽²³⁾ Robinson (R.), op. cit, p.118.

4. The morphology of the Muslim tobacco pipes

A clay tobacco pipe of the “Oriental” type has its morphology, that has still not been unified, in other words researchers make up their own names for parts of the pipe every time, and they have not come to a settlement yet. For instance, researcher J. Hayes in his work used the following terms to describe Turkish pipes: “bowl”, “rim”, “bottom”, “stem”, “bulge”, “flange”⁽²⁴⁾. Rebecca Robinson added new terms to his list: “keel”, “shank”, “stem-socket”, “wreath”, “shank end”, “termination”, “stepped-ring termination”⁽²⁵⁾.

Taking into account our own experience in working with the “pipe” material and groundwork in this sphere of both foreign and Russian colleagues ⁽²⁶⁻²⁸⁾, we kept to a simplified variant of a well-known scheme in description of the clay tobacco pipes from the Azak excavations. According to the scheme, each clay tobacco pipe of the “Oriental” type consists of two main parts: a bowl and a stem.

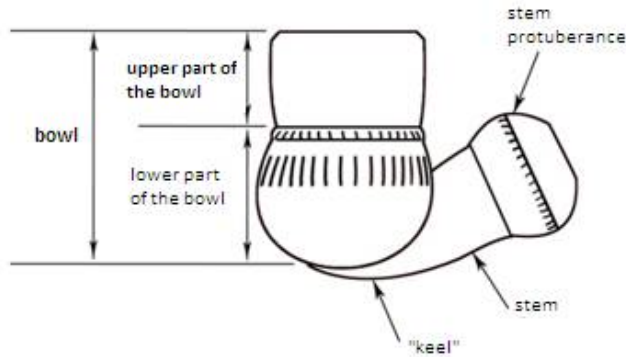
⁽²⁴⁾ Hayes (J.W.), Turkish clay pipes: a provisional typology, The archaeology of the clay tobacco pipe, IV, Europe Oxford: BAR IS, Vol. 92, 1980, pp. 98-104.

⁽²⁵⁾ Robinson (R.), op. cit, p. 118.

⁽²⁶⁾ Volkov (I.V.), The private collection of the “Turkish” tobacco pipes from Moscow, Material culture of the East, pp. 226-252.

⁽²⁷⁾ Volkov (I.V.), Turkish tobacco pipes from Anapa and from “The Treatise on the trade in the Black sea” (“Traite sur le Commerce de la Mer Noir”) by the French traveller Charles de Peyssonnel, The Antique civilization and the barbaric world, Novochoerkassk, 1994, pp. 40-42.

⁽²⁸⁾ Volkov (I.V.), Novikova (G.L.), Red clay “Turkish” tobacco pipes in the collection of Moscow Historical Museum, The archeological monuments of Moscow and the Moscow Area, Moscow, 1996, pp. 134-151.



Pic.9. The morphology of a clay tobacco pipe of the “Oriental” type

The bowl of a pipe has its upper and lower parts which differ in shapes. The upper part of the Muslim tobacco pipe has a shape of a cylinder, truncated cone, or a socket. The lower part can be of the hemispheric, elliptic, plane- spherical, or discal shape. At the end of XVII century there appeared a “keel” on the bottom of the bowl (a triangular bulge resembling the keel of a ship). In the course of time the shape and dimensions of the “keel” underwent considerable changes.

Thus, on the tobacco pipes of the late period (XVIII-XIX centuries) one can see a “keel” of the rectangular, trapezoidal or some other shape (for example, in the shape of a hemp leaf).

As a rule, the stem of a pipe is of the conic shape, sometimes of the cylindrical shape and extremely rarely of the octahedral shape. It can be decorated with one or several protuberances of various width, some of which have a plunge-in ornament. The stem’s end is usually ring-shaped or truncated conic, but sometimes can be sculptured (for instance, in the shape of a many-petalled floral rosette).

5. The classification of the Muslim tobacco pipes

In Russia Igor Volkov was the first who in early 1990s made an attempt to describe the Muslim clay tobacco pipes of XVII – the beginning of XIX centuries. However, then the researcher was not yet ready to develop a classifier for this

ceramic ware⁽²⁹⁻³¹⁾. Therefore, this published study is the first classification of the Russian archeological pipe material based on the finds of various years taken from the excavations on the territory of the former Turkish fortress Azak in Azov city. Similar Ottoman tobacco pipes can be seen in the museums of the Crimea and some southern Russian cities situated on the territory which once had been part of the Ottoman Empire. But none of the collections has been published yet.

The variety of “fashions” (types) of the Ottoman clay tobacco pipes is truly great. As a result, it is extremely difficult to classify them on the basis of only one classification principle (“fashions”), despite it being the determinative one. Therefore, in classification of the pipes from Azak first of all we took into consideration other important parameters: the colour of the clay, the morphology peculiarities, the types of décor and surface handling and the dating as well. The ornamental motives of the pipes in this case are not fundamental and distinctive features.

5.1. The white clay Muslim tobacco pipes

As stated above, the white clay pipes (as well as grey clay ones) were the earliest pipes on the territory of the Ottoman Empire. As a rule, these pipes are dated by the end of XVII century. Although, according to J. Hayes, some pipes could be of an even earlier period. However, judging by the results of his excavations in 1980 in Saraç-Han in Istanbul, the first tobacco pipes were seen there at about the end of XVII – the beginning of XVIII centuries⁽³²⁾. Nevertheless it can be easily assumed that

⁽²⁹⁾ Volkov (I.V.), The private collection of the “Turkish” tobacco pipes from Moscow, *Material culture of the East*, pp. 226-252.

- Rehab Shaban Gad, *Adwat Al Tadkhen fe Masr fe Alkarn (13-19)*, Magester, Adab Ean Shams, Cairo, 2015, pp. 98-105.

⁽³⁰⁾ Volkov (I.V.), Turkish tobacco pipes from Anapa and from “The Treatise on the trade in the Black sea”, pp. 40-42.

⁽³¹⁾ Volkov (I.V.), Novikova (G.L.), Red clay “Turkish” tobacco pipes in the collection of Moscow Historical Museum, pp. 134-151.

⁽³²⁾ Hayes (J.W.), *op. cit.*, p. 101.

some of those pipes could be referred to the beginning of XVII century when the tradition of tobacco smoking had only started spreading in the Ottoman Empire.

In the Turkish fortress Azak the white clay tobacco pipes are from the cultural layers of the end of XVII – the beginning of XVIII centuries. Finds of an earlier period have not been discovered yet⁽³³⁻³⁵⁾. All of them were made of the white clay of rather good quality, without any apparent mixture. The surfaces of the pipes are well smoothed, some of them are glazed. The majority of the pipes have no “keel”. Some of the pipes have a “keel” of the triangular shape.

The stems of the white clay pipes usually have protuberances on the end which are often decorated with a plunge-in ornament (the tooth-wheels’ imprints). Sometimes this décor imitated Ottoman head-dress (a turban or a head-hugger). One of the white clay pipes does not have a stamp of its maker. The white clay pipes’ bowls differ from each other in shapes. Reasoning from these differences, they can be divided into several groups:

5.1.1. The pipes with the bowls the upper part of which has a shape of a cylinder, and the lower part is of a hemispheric shape. As a rule, the seam joining the parts is decorated with 1 or 2 narrow, low and horizontal protuberances. The upper cylindrical part of the bowl can be ornamented with horizontal narrow riffling, and the lower part – with narrow, frequent vertical flutes imitating chrysanthemum petals, or with a sculptured diamond-shaped grid. Floral motives in the ornamentation of the Ottoman pipes are well-illustrated in

⁽³³⁾ Maslovsky (A.N.), The report on the rescue excavations of the I Azov team in the area of a private dwelling house in 15 Engelsa street, Azov in 1998 (The AMR Archives), Azov, 1999, p. 43.

⁽³⁴⁾ Maslovsky (A.N.), The works of the I Azov team in 1998, pp. 115-120.

⁽³⁵⁾ Gusach (I.R.), The archeological researches on the territory of the Turkish fortress Azak, HARALD in 2004. Issue 21, Azov, 2006, pp. 127-141.

Bulgarian literature ⁽³⁶⁻³⁸⁾. Usually there is no “keel”, but there still are pipes with triangular “keels” (AMR AB-3508/1, 13; 16204/2368; 18848/139, 120 and others).

This kind of pipes was very widespread. You can see them in the classification of J. Humphrey who studied the archeological finds on Lesbos. The scientist dated those pipes by the beginning of XVIII century⁽³⁹⁾. Bulgarian researchers refer this kind of pipes to the end of XVII – the beginning of XVIII centuries ⁽⁴⁰⁾.

R. Robinson also dated a similar pipe from the excavations of Agora by the end of XVII – the beginning of XVIII centuries ⁽⁴¹⁾.

5.1.2. The pipes the upper part of which is a cylinder, the lower one is a hemisphere. The seam joining the parts is decorated with a narrow oblique “collar” (AMR AB-18986/57, 58; 17284/272).

5.1.3. The pipes with triangular “keels” and bowls with the truncated-conic upper part and the hemispheric lower part. Bulgarian researchers name such shape of a bowl “tulip-like”. The upper part of the bowl is not ornamented, the lower one is decorated with a girdle of triangles, filled with a plunge-in diamond-shaped grid (AMR AB-18986/60).

5.1.4. The lower part of these pipes has a shape of a clam-shell i.e. it has wide vertical flutes radially diverging from the bottom. The bottoms of the bowls are decorated with plunge-in floral rosettes. No “keels” (AMR AB-478/2; 17284/470).

⁽³⁶⁾ Volkov (I.V.), Turkish tobacco pipes from Anapa and from “The Treatise on the trade in the Black sea”, pp. 40-42.

⁽³⁷⁾ Volkov (I.V.), Novikova (G.L.), Red clay “Turkish” tobacco pipes in the collection of Moscow Historical Museum, pp. 134-151.

⁽³⁸⁾ Volkov (I.V.), The private collection of the “Turkish” tobacco pipes from Moscow, Material culture of the East, pp. 226-252.

⁽³⁹⁾ Volkov (I.V.), Turkish tobacco pipes from Anapa and from “The Treatise on the trade in the Black sea pp. 40-42.

⁽⁴⁰⁾ Volkov (I.V.), The private collection of the “Turkish” tobacco pipes from Moscow, Material culture of the East, pp. 226-252.

⁽⁴¹⁾ Robinson (R.), op. cit, p. 129.

5.1.5. These pipes' bowls resemble narcissi; that is why many researchers usually refer them to the "fashion" with a floral name "narcissus". The upper part of the bowls has a cylindrical or a truncated-conic shape, the lower one has a discal, elliptical or biconical shape. There were found pipes with and without "keels" (AMR AB-17284/466, 469; 30667/3 and others).

5.1.6. The pipes with "almond-shaped" bowls smoothly changing into short conic stems with wide unornamented protuberances on the ends (AMR AB-30667/5, 114-117). Bulgarian researchers believe that such pipes were made in XVII-XVIII centuries in the city called Varna (modern Bulgaria, the former territory of the Ottoman Empire). Therefore, they are named "Balkan" ⁽⁴²⁻⁴³⁾.

Apart from Azak, such pipes were discovered in the Crimea ⁽⁴⁴⁾, in the fortresses of Ukraine (Ochakov, Ackerman and others) ⁽⁴⁵⁻⁴⁶⁾, in Romania ⁽⁴⁷⁾ and Hungary ⁽⁴⁸⁾.



Pic.10. White clay Muslim tobacco pipes

⁽⁴²⁾ Volkov (I.V.), The private collection of the "Turkish" tobacco pipes from Moscow, Material culture of the East, pp. 226-252.

⁽⁴³⁾ Volkov (I.V.), Novikova (G.L.), Red clay "Turkish" tobacco pipes in the collection of Moscow Historical Museum, pp. 134-151.

⁽⁴⁴⁾ Hayes (J.W.), op. cit, p. 167.

⁽⁴⁵⁾ Maslovsky (A.N.), The report on the rescue excavations of the I Azov team in the area of a private dwelling house in 15 Engelsa street, Azov in 1998 (The AMR Archives), Azov, 1999, p. 76.

⁽⁴⁶⁾ Maslovsky (A.N.), The works of the I Azov team in 1998, pp. 115-120.

⁽⁴⁷⁾ Gusach (I.R.), The archeological researches on the territory of the Turkish fortress Azak, HARALD in 2004. Issue 21, Azov, 2006, pp. 127-141.

⁽⁴⁸⁾ Volkov (I.V.), Turkish tobacco pipes from Anapa and from "The Treatise on the trade in the Black sea", pp. 40-42.

5.2. The grey clay Muslim tobacco pipes

The tobacco pipes made of grey clay of rather high quality have various kinds of surface treatment. Some pipes were just well-smoothed over and sometimes glazed; others were additionally coated with engobe (brown, “cherry”), and after that glazed. We divided the pipes into the following groups depending on the kinds of their surface treatment:

5.2.1. Without glazing

5.2.1.1. The grey clay pipes with the cylindrical or truncated-conic upper part and the hemispheric lower part. The upper part of the bowl usually has no décor, or has horizontal narrow riffling.

The lower part is as a rule decorated with narrow frequent vertical flutes imitating chrysanthemum petals (AMR AB-3508/30; 3516/34, 23; 17284/162). J. Humphrey and J. Hayes dated such pipes by the end of XVII – XVIII centuries. The pipes of this group were found in the layer of XVIII century during the excavations of the Ackerman fortress in Ukraine⁽⁴⁹⁻⁵¹⁾.

5.2.1.2. The upper part of these pipes’ bowls is a cylinder, the lower one – a hemisphere. The seam joining the parts is decorated with a narrow oblique “collar” ornamented with a plunge-in geometric girdle (AMR AB-3516/15, 31; AB-27240/6).

5.2.1.3. The upper part of the pipes’ bowls is a cylinder; the lower one has a shape of a clam-shell (identical to the group 5.1.4. of the white clay pipes). Sometimes the bottom of the bowl is decorated with a floral rosette. The stems of the pipes are often ornamented with wide protuberances which have a plunge-in

⁽⁴⁹⁾ Hayes (J.W.), *op. cit.*, p. 103.

⁽⁵⁰⁾ Volkov (I.V.), Turkish tobacco pipes from Anapa and from “The Treatise on the trade in the Black sea”, pp. 40-42.

⁽⁵¹⁾ Maslovsky (A.N.), The works of the I Azov team in 1998, pp. 115-120.

turban-like ornament. There is no “keel” (AMR AB-30667/8, 9; 18986/27). R. Robinson dated these pipes by XVII century ⁽⁵²⁾.

5.2.1.4. The pipes with the cylindrical upper part and the elliptical lower part of the bowls. The upper part has no décor, the lower part is decorated with flutes imitating chrysanthemum petals and a geometric girdle (AMR AB-3508/24-26; 3516/16-22; 16204/2338 and others).

5.2.1.5. This kind of pipes is usually referred to the “narcissus” fashion”. There is no “keel” (AMR AB-18848/264; 30667/10).

5.2.1.6. The pipes with the cylindrical or truncated-conic upper part and the biconical lower part of the bowls. With or without a “keel”. The lower part of the bowl is usually decorated with a girdle of the geometric ornament or with wide flutes imitating lotus petals. The upper part of the pipes is quite often decorated with an Arabographic inscription in the Ottoman language (AMR AB-3508/17-19, 24-29; 16201/2378 and others). Apart from Azak, the pipes with inscriptions were discovered at the excavations in Hungary and Ukraine where they were dated by the end of XVII – the beginning of XVIII centuries. J. Hayes in his classification of the Istanbul pipes refers such examples to the beginning of XVII century, and J. Humphrey views the pipes from Lesbos as a separate group dated by XVII – the beginning of XVIII centuries ⁽⁵³⁻⁵⁶⁾.

5.2.1.7. The pipes of the so called “balkan” type with the bowl that is “almond-like” in its cross-section (identical to the

⁽⁵²⁾ Robinson (R.), op. cit, p. 90.

⁽⁵³⁾ Hayes (J.W.), op. cit, pp. 98-99.

⁽⁵⁴⁾ Volkov (I.V.), Turkish tobacco pipes from Anapa and from “The Treatise on the trade in the Black sea”, pp. 40-42.

⁽⁵⁵⁾ Maslovsky (A.N.), The works of the I Azov team in 1998, pp. 115-120.

⁽⁵⁶⁾ Gusach (I.R.), The archeological researches on the territory of the Turkish fortress Azak, HARALD in 2004. Issue 21, Azov, 2006, pp. 127-141.

group 5.1.6. of the white clay pipes) (AMR AB-30667/11; 17284/3 and others).

5.2.2. With brown engobe.

In the Azov Museum-Reserve collection we found only one grey clay pipe with brown engobe and glazing of the external surface which can be referred to the “semi-narcissus” fashion”: with the cylindrical upper part and the discal lower part of the bowl. The pipe is decorated with geometric ornament. It has a triangular “keel” (AMR AB-30667/23).

5.2.3. With “cherry” engobe.

This kind of pipes is quite often discovered during the excavations on the territory of the Azak fortress and its surroundings. Obviously, they were manufactured and sold at the market in large quantities.

The earliest of them had no “keel”. The name of the engobe’s colour is quite nominal. Sometimes the pipes with “cherry” engobe have stamps.

5.2.3.1. The pipes with the cylindrical or truncated-conic shape of the bowls’ upper part and the hemispheric shape of the lower one. Usually the top of the bowl is not ornamented. The bottom can be decorated with plunge-in geometric décor or vertical flutes imitating chrysanthemum or lotus petals. In the Ochakov fortress such pipes were dated by the early part of XVIII century⁽⁵⁷⁾ (AMR AB-18986/19, 61, 95; 3174; 17284/288, 308; 30520/26-28, 30 and others).

5.2.3.2. Only one pipe. The upper part of the bowl is a cylinder, the lower one is a hemisphere decorated with narrow vertical flutes imitating chrysanthemum petals. The seam joining the parts is decorated with a narrow oblique “collar”. The “keel” is triangular (AMR AB-30667/15).

5.2.3.3. Two pipes resembling tulips. Both of them have triangular “keels” (AMR AB-30520/29; 18986/4).

⁽⁵⁷⁾ Maslovsky (A.N.), The works of the I Azov team in 1998, pp. 115-120.

5.2.3.4. A widespread “fashion” of the pipes called “tulip-like” by the researchers. These pipes have the cylindrical or truncated-conic upper part of the bowls, and the hemispheric lower part. The stem is short and conic, as a rule, without a protuberance on the end. There is no “keel”. The bowl is decorated with a plunge-in geometric ornament or sculptured floral rosettes (AMR AB-18986/53; 17284/435; 30668/3; 30669/1 and others).

5.2.3.5. The pipes with the cylindrical or truncated-conic upper part and the elliptic lower part. Almost all of them have a triangular “keel”. The upper part of the bowl of one pipe is a faceted truncated cone. The lower part of the bowls is usually decorated with a geometric ornament or a sculptured diamond-shaped grid (AMR AB-3516/6; 19690/34, 40, 42; 18986/42; 25159/10 and others).

5.2.3.6. The rarest group. The “tulip-like” pipes. The upper part of their bowls is cylindrical or truncated-conic, the lower one is biconical. All of them have a triangular “keel”. There are pipes with stamps (AMR AB-3516/4; 30667/21).

5.2.3.7. The pipes of the “semi-narcissus” fashion”: with the cylindrical upper part of the bowl, and the discal lower part. A triangular “keel”. The upper part of the bowl has no décor, the lower one is decorated with flutes imitating chrysanthemum or narcissus petals (AMR AB-25159/9; 30672/4 and others).

5.2.4. The grey glazed ones.

This kind of the pipes includes those made of dark grey (almost black) clay. After thorough glazing the surface colour of the pipes made of dark grey clay becomes practically indistinguishable from black. There are only three such pipes in the museum’s collection. One of them has a stamp in the form of a circle with a “grid” (AMR AB-18986/28). Another has a “keel” of the original form – in the shape of a clove pink (AMR AB-16204/2322).



Pic.11. The grey clay Muslim tobacco pipes

5.3. The black clay Muslim tobacco pipes

5.3.1. Without glazing.

The Azov Museum-Reserve possesses only one black clay tobacco pipe with no traces of glazing. This pipe's bowl is flattened-conic in general view and almond-shaped in cross-section; it changes sharply (at the acute angle) into a short wide cylindrical stem with no protuberance on the end. Apparently, the fore-part of the pipe's bowl was decorated with a sculptured ornament in the "baroque" style (AMR AB-6573/2). Such pipes are considered to have been made in Balkans. A French researcher F. Gosse in his classification of the Ottoman pipes named this kind of pipes the "Balkan models" ⁽⁵⁸⁾.

5.3.2. The black glazed ones.

Five pipes only. Two of them have bowls in the shape of a tulip with raised petals (so called "black tulips") (AMR AB-27239/6, 27240/5). The lower part of the bowl of another one is biconical, and the upper part is cylindrical decorated with an Arabogaphic inscription which can be read if the pipe is turned a half-circle. The "keel" is high and semi-oval. The pipe's stem is relatively long and faceted, with an ornamented protuberance on the end (AMR AB-30667/24).

⁽⁵⁸⁾ Volkov (I.V.), Novikova (G.L.), Red clay "Turkish" tobacco pipes in the collection of Moscow Historical Museum, pp. 134-151.



Pic.12. The black clay Muslim tobacco pipes

5.4. Brown clay Muslim tobacco pipes

The most common type of the tobacco pipes discovered at the archeological monuments of the Ottoman period. These pipes appeared in the Ottoman Empire at the end of XVII century. But they won popularity only in XVIII century. Such pipes are usually called by a general term “red clay pipes”. They existed up to the beginning of XX century, when cigars and cigarettes little by little took their place.

5.4.1. With glazing and without glazing.

Almost all Ottoman brown clay pipes had their surfaces glazed, so we united them into one group with the unglazed ones.

5.4.1.1. The most popular group of pipes. The upper part of the bowl is cylindrical, the lower one is hemispheric. The upper part of the bowl usually has no décor or is decorated with diagonal narrow riffling. The lower part is decorated with narrow vertical flutes imitating chrysanthemum and lotus petals, or has a geometric décor. The “keel” is triangular (AMR AB-3512/16; 17284/303; 29519/7; 30494/2 and others). Such pipes can be seen practically at all Ottoman archeological monuments of the end of XVII – XVIII centuries. J. Hayes referred such pipes found at the Istanbul excavations to XVIII – the beginning of XIX centuries ⁽⁵⁹⁻⁶⁰⁾.

5.4.1.2. The pipes with the truncated-conic upper part of the bowl and the hemispheric lower one. It is also quite a widespread type of the Muslim tobacco pipes. The upper part of the bowl has

⁽⁵⁹⁾ Hayes (J.W.), op. cit, p. 120.

⁽⁶⁰⁾ Maslovsky (A.N.), The works of the I Azov team in 1998, pp. 115-120.

no decor, the lower one is decorated with narrow and wide vertical flutes imitating chrysanthemum and tulip petals, or with a diamond-shaped “grid”. With a “keel” and without a “keel”. There are examples with stamps. These pipes were manufactured particularly often in XVIII century (AMR AB-18986/38, 43; 30667/28, 29, 37, 38, 41 and others).

5.4.1.3. The upper part of the bowl is cylindrical, the lower one is elliptic. Several pipes imitate the shape of a tulip and have the master’s stamp. The lower part of the bowl is decorated with a geometric ornament or with flutes in the shape of chrysanthemum petals. Among these pipes there are those having faceted stems with sculptured floral rosettes on the ends, and their “keels” are trapezoidal.

rectangular and figured (AMR AB-3516/1; 17284/417, 434, 468, 517 and others). J. Humphrey dated similar pipes from Lesbos by the second part of XVIII century. He considers them to be manufactured in the workshops of Varna ⁽⁶¹⁾.

5.4.1.4. These pipes are referred by the researchers to the “narcissus” and “semi-narcissus” fashions”. They have the cylindrical and truncated-conic upper part of the bowl and the discal lower part. As a rule, the “keel” is triangular, rarely – trapezoidal and rectangular (AMR AB-18986/199-201; 3512/17; 17284/542 and others). J. Humphrey dates them by XVIII century, R. Robinson calls the lower part of these pipes “disc-based” ⁽⁶²⁻⁶³⁾.

5.4.1.5. The pipes with the cylindrical and truncated-conic upper part of the bowl and biconical or truncated-conic (very rarely) lower part. All pipes have a triangular “keel”. The upper part has no décor, the lower part is decorated with vertical flutes imitating lotus and chrysanthemum petals, or with a geometric

⁽⁶¹⁾ Volkov (I.V.), Turkish tobacco pipes from Anapa and from “The Treatise on the trade in the Black sea”, pp. 40-42.

⁽⁶²⁾ Robinson (R.), op. cit, pp. 132-133.

⁽⁶³⁾ Volkov (I.V.), op. cit. pp. 40-42.

ornament (AMR AB-17284/22; 19690/44; 30667/59 and others). The pipes of the “fashion” “tahta-çubuk” attract particular interest (bulky, with the cylindrical faceted upper part and the elliptic lower one) (AMR AB-18986/185; 30665/3 and others). These pipes were manufactured in Istanbul in XVIII-XIX centuries. Their name became well-known due to “The Treatise on the trade in the Black sea” (“Traite sur le Commerce de la Mer Noir”) by the French traveller Charles de Peyssonnel ⁽⁶⁴⁾.

5.4.2. With beige, brown and red engobe.

5.4.2.1. Brown clay pipes “tahta-çubuk” were sometimes coated with engobe of beige colour. We found one such pipe in the collection of the Azov Museum-Reserve (AMR AB-16204/2325) with “nischan” stamp. The upper part of the bowl is made in the shape of a faceted cylinder, the lower one – of a faceted hemisphere.

5.4.2.2. The pipes of the “semi-narcissus” fashion”: with the cylindrical unornamented upper part of the bowl and the discal lower one decorated with a girdle of a geometric ornament, or with vertical flutes imitating narcissus petals. A triangular “keel” (AMR AB-17284/471; 16204/2324).

5.4.2.3. The pipe made in the shape of a tulip with raised petals. A triangular “keel” (AMR AB-30667/34). A similar pipe made of white clay was discovered during the excavations of the Edirne Palace (Edirne Sarayı) in Turkey in 2012 ⁽⁶⁵⁾.

The upper part of the bowl is cylindrical and undecorated; the lower part is elliptic and decorated with vertical, wide, relatively frequent flutes imitating lotus petals.

5.4.2.4. The upper part of the bowl is cylindrical and undecorated; the lower part is elliptic and decorated with vertical,

⁽⁶⁴⁾ Volkov (I.V.), The private collection of the “Turkish” tobacco pipes from Moscow, Material culture of the East, pp. 226-252.

⁽⁶⁵⁾ Volkov (I.V.), Turkish tobacco pipes from Anapa and from “The Treatise on the trade in the Black sea”, pp. 40-42.

wide, relatively frequent flutes imitating lotus petals (AMR AB-30667/62-65).

5.4.3. With coating (enamel).

The surfaces of only two brown clay pipes are covered with enamel (of green or olive colour). The upper parts of the pipes' bowls are cylindrical, without a décor; the lower parts are hemispheric, and decorated with hemispheric protuberances and a plunge-in ornament in the form of a diamond-shaped "grid". There are no "keels" (AMR AB-3508/15; 18986/37).



Pic.13. The brown clay Muslim tobacco pipes

5.5. The beige clay Muslim tobacco pipes

The quantity of the beige clay tobacco pipes in the collection of the Azov Museum-Reserve is quite large. As in the case of the brown clay pipes, they can be divided into several types according to the treatment of their surface: glazed and unglazed, coated with red, beige and brown engobe. No enameled pipes yet.

5.5.1. With and without glazing.

The majority of these pipes have no glazing. They are made of well-sedimentary beige clay (sometimes with fine lime inclusions), which is close in its composition to the clays of the ceramics centers of Southeast Crimea.

5.5.1.1. The pipes with the cylindrical upper part of the bowl and the hemispheric lower one. The upper part of the bowl has no décor; the lower one is decorated with a girdle of a plunge-in geometric ornament, or with vertical wide flutes imitating lotus petals. With a triangular "keel" and without a "keel" (AMR AB-30672/14; 30665/7; 30667/85, 86 and others).

5.5.1.2. The pipes with a “tulip-like” bowl: the upper part of the bowl is truncated-conic, the lower one is hemispheric. The upper part has no décor; the lower part is decorated with a girdle of a plunge-in geometric ornament (AMR AB-3516/3; 30672/8).

5.5.1.3. The pipes with the cylindrical or truncated-conic upper part of the bowl and the elliptic lower part. The upper part has no décor; the lower one is decorated with a girdle of a plunge-in geometric ornament, or with vertical wide flutes imitating lotus petals. The “keel” is triangular (AMR AB-30674/4; 695).

5.5.1.4. The upper part of the bowl is cylindrical, the lower one is elliptic or biconical, decorated with the imprints of a tooth-wheel in the shape of dotted lines and “gorodki bars”. The stem is short and conic. With a wide protuberance on the end (sometimes without a protuberance), decorated with the imprints of the same tooth-wheel. The “keel” does not exist but it is “marked” by the imprints of the wheel and by the plunge-in lines (AMR KII-3516/10; 30667/81, 82 and others). The pipes of this “fashion”, which some researchers call “gireevsky”, can be seen mainly in Northern area of the Black sea and in the Crimea. There are such pipes in the Priazovye as well. They might have been made in the workshops of the Northern area of the Black sea, not in Anatolia or Balkans. They are usually dated by the second part of XVII – the beginning of XVIII centuries⁽⁶⁶⁾.

5.5.1.5. The pipes of the “narcissus” or “semi-narcissus” fashions”: with the cylindrical upper part of the bowl and the discal lower part. The upper part of the bowl has no décor; the lower one is decorated with a girdle of a plunge-in geometric ornament, or with vertical flutes imitating narcissus petals. All pipes have a triangular “keel” (AMR AB-30667/94; 16204/2323 and others).

⁽⁶⁶⁾ Volkov (I.V.), The private collection of the “Turkish” tobacco pipes from Moscow, Material culture of the East, pp. 226-252.

5.5.1.6. The only pipe referred to the type of “faceted” because its cylindrical bowl and its short cylindrical stem both have facets. The bottom of the bowl is flat, oval and with the imprints of a tooth-wheel. There is no “keel” (AMR KII-29718/111).

5.5.2. With red or brown engobe.

5.5.2.1. The pipes of the “Greek” type (according to Ph. Gosse) have the truncated-conic upper part of the bowl and the hemispheric lower part decorated with vertical narrow flutes imitating chrysanthemum petals ⁽⁶⁷⁾. The “keel” is triangular (AMR AB-29718/113; 30675/14-16).

5.5.2.2. The pipes of the “semi-narcissus” fashion”: the upper part of the bowl has a cylindrical or truncated-conic shape; the lower part is discal, and is decorated with a plunge-in geometric ornament. With a triangular “keel” or without a “keel” (AMR AB-29718/121; KII-30675/11). R. Robinson dated he similar ones from Corinth by XIX century; in the Azak fortress these pipes were discovered in the layers of XVIII century ⁽⁶⁸⁻⁷¹⁾.

5.5.2.3. The pipes of the “tahta-çubuk” fashion” were made in some unknown ceramics centers (most likely in Balkans, although it is well-known that replicas of these popular ottoman pipes were manufactured everywhere, including Russia). The upper part of the bowl is cylindrical and faceted, the lower one is hemispheric and faceted, too. The “keel” is triangular. The bowl has a geometric ornament and stamps. (AMR AB-30675/4, 26).

5.5.2.4. The “Balkans” faceted pipes. These pipes have a faceted cylindrical bowl that smoothly changes (constitutes a

⁽⁶⁷⁾ Volkov (I.V.), Novikova (G.L.), Red clay “Turkish” tobacco pipes in the collection of Moscow Historical Museum, pp. 134-151.

⁽⁶⁸⁾ Gusach (I.R.), Close complexes with the “Turkish” tobacco pipes from Azov, pp. 368-389.

⁽⁶⁹⁾ Gusach (I.R.), The archeological researches on the territory of the Turkish fortress Azak, HARALD in 2004. Issue 21, Azov, 2006, pp. 127-141.

⁽⁷⁰⁾ Gusach (I.R.), The Ottoman tobacco pipes from the excavations in the Azak fortress, The new researches of the Cossack period memorials in Ukraine. Issue 22. Kiev, 2013, pp. 379-383.

⁽⁷¹⁾ Robinson (R.), op. cit, p. 153.

single whole) into a long cylindrical faceted stem with a wide faceted protuberance on the end (AMR AB-27239/5; 30667/99; 17284/289 and others). Romanian researchers named such a protuberance “a star-like ring” ⁽⁷²⁾. This type of simple and obviously very cheap pipes was quite popular among the common people of the Ottoman Empire and among the soldiers of the Turkish army.

Our Bulgarian colleagues think that such pipes were manufactured in the second part of XVII – in the middle of XVIII centuries in Balkans, first of all, in Sophia. They can be seen in all collections of the Bulgarian museums, as well as in Hungary, Romania, Greece, Turkey and Russia ⁽⁷³⁻⁷⁹⁾. The pipes have no “keel”; their surfaces are coated with a thin layer of red engobe. They were discovered in Azov at the archeological objects dated by the end of XVII – the beginning of XVIII centuries.

5.5.2.5. The “tulip-like” (“kambanovidny” in Bulgarian) pipes. They are rather bulky, with a triangular “keel”, a relatively long cylindrical stem with a wide, and bulky as well, ornamented protuberance on the end. All examples have stamps (AMR AB-30675/3, 6, 8, 17 and others). There are similar pipes in Varna, Sophia, Ruse, Corinth, Agora. R. Robinson dates them by XIX – XX centuries and considers such pipes to have been manufactured in Sophia and Varna workshops. In Azov they

⁽⁷²⁾ Gusach (I.R.), The archeological researches on the territory of the Turkish fortress Azak, HARALD in 2004. Issue 21, Azov, 2006, pp. 127-141.

⁽⁷³⁾ Robinson (R.), op. cit, p.153.

⁽⁷⁴⁾ Hayes (J.W.), op. cit, p. 78.

⁽⁷⁵⁾ Volkov (I.V.), Turkish tobacco pipes from Anapa and from “The Treatise on the trade in the Black sea”, pp. 40-42.

⁽⁷⁶⁾ Volkov (I.V.), Novikova (G.L.), Red clay “Turkish” tobacco pipes in the collection of Moscow Historical Museum, pp. 134-151.

⁽⁷⁷⁾ Volkov (I.V.), The private collection of the “Turkish” tobacco pipes from Moscow, Material culture of the East, pp. 226-252.

⁽⁷⁸⁾ Volkov (I.V.), Novikova (G.L.), Red clay “Turkish” tobacco pipes in the collection of Moscow Historical Museum, pp. 134-151.

⁽⁷⁹⁾ Gusach (I.R.), The archeological researches on the territory of the Turkish fortress Azak, HARALD in 2004. Issue 21, Azov, 2006, pp. 127-141.

were taken from the excavations of the Russian abode of XVIII century⁽⁸⁰⁻⁸³⁾.

5.5.2.6. The only one pipe in the collection of the Azov Museum-Reserve dated by XVIII century.

Its bowl was of a cylindrical shape, decorated with a sculptured and plunge-in geometric ornament. The pipe's stem is long, wide and conic, with a girdle of raised tulip petals and the maker's stamp. The "keel" is triangular (AMR AB-30675/9). A similar pipe of XIX century was discovered in Ruse⁽⁸⁴⁾.

5.5.2.7. Highly widespread later pipe "fashion" called by the researchers "lily-shaped" or "bell-shaped". The bowl of such pipes has a shape of a truncated cone smoothly changing into the hemispheric lower part. With and without décor. The stem is short, wide, conic, often without a protuberance on the end, sometimes with the maker's stamp. The "keel" is triangular and, as a rule, high (AMR AB-30675/7, 10; 3516/2; 29718/117 and others). The Bulgarians consider these pipes to have been manufactured by the local craftsmen and date them by the second part of XVIII – XIX centuries. They have also been discovered in Turkey, Greece, the Crimea, etc.⁽⁸⁵⁻⁸⁸⁾.

⁽⁸⁰⁾ Robinson (R.), op. cit, p. 136.

⁽⁸¹⁾ Volkov (I.V.), Novikova (G.L.), Red clay "Turkish" tobacco pipes in the collection of Moscow Historical Museum, pp. 134-151.

⁽⁸²⁾ Volkov (I.V.), The private collection of the "Turkish" tobacco pipes from Moscow, Material culture of the East, pp. 226-252.

⁽⁸³⁾ Robinson (R.), op. cit, p. 136.

⁽⁸⁴⁾ Volkov (I.V.), The private collection of the "Turkish" tobacco pipes from Moscow, Material culture of the East, pp. 226-252.

⁽⁸⁵⁾ Robinson (R.), op. cit, pp. 137-138.

⁽⁸⁶⁾ Hayes (J.W.), op. cit, p. 94.

⁽⁸⁷⁾ Volkov (I.V.), Novikova (G.L.), Red clay "Turkish" tobacco pipes in the collection of Moscow Historical Museum, pp. 134-151.

⁽⁸⁸⁾ Hayes (J.W.), op. cit, p. 94.



Pic.14. The beige clay Muslim tobacco pipes

6. The inscriptions and stamps on the Muslim Tobacco pipes

The Muslim tobacco pipes are not only daily routine objects of the Turkish fortress Azak inhabitants (and subsequently, of the Russian Azov fortress), but first of all they are historical sources and highly artistic examples of the Ottoman ceramics art in XVII-XVIII centuries. Among these pipes one can find examples with stamps and Arabographic inscriptions in Old Ottoman language. As a rule, the stamps that in fact represented short inscriptions enclosed in a circle or a rectangle, were their makers' "marks". Usually they contained these words: "Made by ..."
 (... صنعہ) and the maker's name, for example, "Mohammed" (محمد). Among the marks are the following: "فتى – فنى" (Fata – Fana), "صك" (Sak) and others. The pipes of the "tahta-çubuk" fashion" sometimes have stamps with the stylized Ottoman inscriptions which are called "nischan" in literature (AMR AB-16204/2325 and others).



Pic.15. The stamps with inscriptions on the tobacco pipes

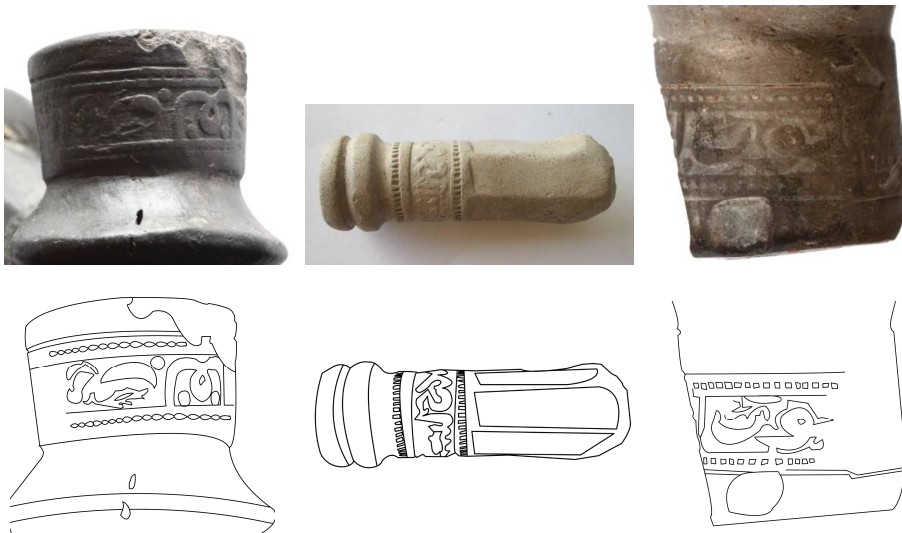
More seldom they used as stamps floral many-petalled rosettes (AMR AB-16204/2301; 30667/26 and others), “stars” (AMR AB-3516/4), and images of a tulip highly respected by all Ottomans (AMR AB-3516/12; 30667/29-32). Sometimes an 8-shaped figure was used as a stamp, probably symbolizing the “infinity” sign (AMR AB-18986/43; 30667/28). The pipes with two different stamps are sporadic. For instance, “grids in circles” and clove pinks (AMR AB-18986/28). Usually the ceramics craftsmen would apply the stamps onto the bottom of the bowl or onto the pipe’s stem.



Pic.16. The stamps on the Muslim tobacco pipes

The pipes with the inscriptions on their bowls or stems are extremely rare. Usually it is very difficult to read and translate these inscriptions (wiped places, chippings, losses, etc.) (AMR AB-16204/2321; 19690/38; 16201/1378 and others). For the present moment we have succeeded in reading and translating only one inscription on the black clay pipe of XVII century from Azak: "لقاء المحبوب بالمحبوب", (Leka al Mahboub bel Mahboub)

“The date of the beloved) (AMR AB-30667/24). There is a part of the inscription on the fragment of the pipe: "محبوب", (Mahboub) “beloved”. According to our observations, the pipes with the inscriptions are usually dated by XVII century; the pipes with the stamps are dated by XVIII-XIX centuries. Stamped white clay (early) pipes have never been discovered.



Pic.17. The inscriptions on the Muslim pipes

6. Conclusions

Having studied the collection of the Muslim clay pipes at the Azov Museum-Reserve (Azov city, the Russian Federation), we obtained the following results:

1. The total number of the Muslim clay tobacco pipes in the Museum amounts approximately 1000 examples (intact ones and fragments). All of them are from the excavations carried out in different years on the territory of the former Ottoman fortress Azak (Azov old district) and its surroundings. These pipes were manufactured by the ceramics craftsmen on the territory of the former Ottoman Empire (Asia Minor, the Crimea, Balkans). Till recently this archeological material has remained insufficiently studied and has not been put into scientific use.

The Muslim tobacco pipes studied by us refer to the “Oriental” type of the pipes. They looked like a smoking set consisting of three parts: a clay tube (a head); a wooden barrel (çubuk) and a mouthpiece.

The clay pipes were component parts of the set and had their own form (“fashion”) and morphology (a bowl, a “keel” and a stem). The pipes were made of high-quality clay of white, grey, brown, beige and almost black colours in specific moulds and

were decorated with plunge-in and stamped ornaments. To make pipes durable, they were subjected to baking. The surfaces of the pipes were subjected to an additional treatment: glazing, engobe and rarely enameling.

The majority of the Ottoman clay tobacco pipes are so called “red clay” pipes – the brown clay ones (40,5% of the total number of the Muslim pipes) and the beige clay ones (19%). Of those, about 10% have engobe coating of red colour and 2% have engobe coating of beige colour. The surfaces of two brown clay pipes are covered with enamel of green and olive colour. The grey clay tobacco pipes are 29%; almost half of them are coated with “cherry” engobe. One grey clay pipe has green enamel. There are only few white clay pipes (19%) and black clay pipes (1,5 %). Sometimes the surfaces of these pipes have glazing.

The décor of these tobacco pipes is also of various kinds and is to be additionally studied and classified. It is mainly geometric and floral-vegetative ornament which can often be interrelated with the pipe’s “fashion”. Some of the pipes resemble shapes of various flowers: tulips, narcissi, chrysanthemums, lotuses and lilies. There were identified the “Balkan” and the “Black sea” (“Crimean”) types of the Ottoman pipes, and the Istanbul “fashion” called “tahta-çubuk”.

2. Some of the tobacco pipes have stamps and Arabographic inscriptions in Ottoman language. The majority of the stamps are imprints of the circular or rectangular shape with an inscription inside: “Made by... (the maker’s name)” – “صنعه ... (اسم الصانع)”. Much more seldom we can find stamps stylized as floral rosettes, leaves, “birds”, “stars”, etc. 7 brown clay pipes have an image of a tulip used as their stamps.

There are brown clay and grey clay pipes with two stamps (for example, 8-shaped figure and a leaf). The inscriptions on the pipes are rare. We can see them only on the bowls and stems’ protuberances of the grey clay pipes dated by XVII century. Almost all inscriptions are illegible because of their poor state. The white clay pipes have neither stamps, nor inscriptions.

3. All in all, the clay tobacco pipes from the excavations of the Turkish fortress Azak and its surroundings are dated by XVII - the beginning of XIX centuries. However, the Ottoman pipes discovered in the “close” complexes on the territory of the Azak fortress are more accurately dated – the end of XVII – the beginning of XVIII centuries.

LIST OF ABBREVIATIONS:

AMR – the Azov Museum-Reserve

AMR AB – The Acceptance Book of the Azov Museum-Reserve

HARALD – Historical and archeological researches in Azov and Lower Don (the Azov Museum-Reserve printed study)

BNF – Bibliothèque Nationale de France

BIBLIOGRAPHY:

- Abd El Naser Yassen, Magamer shobok moktashafa fe mantekat Al Gabal Al Gharby b Asute, Megalat al Ethad Alaam Llasaryen al Arab, Cairo, 2015.
- Akalın (Ş.), Yılmaz Bilgi (H.), Suna ve Inan Kıraç koleksiyonunda Kütahya seramilleri, Yadigâr-ı Kütahya, Istanbul, 1997.
- Alyadinova (D.), Ceramics tobacco pipes of the Ottoman period from the excavations on the territory of Aluston fortress, The new researches of the Cossack period memorials in Ukraine, Issue 22, Ch.I, Kiev, 2013.
- Belyaeva (S.), Karashevich (I.), Fialko (O.), Historical and archeological researches of 2008-2009 years in Belgorod-Dnestrovsky and in Ochakov, New researches of the Cossack period memorials in Ukraine, Issue 19, Kiev, 2010.
- Belyaeva (S.), Slavic and Turkic communities in Ukraine. From the history of time of XIII-XVIII centuries, Kiev, 2012.
- Chekanovsky (A.A.), Ceramics tobacco pipes of XVII-XVIII centuries of the Middle Dnieper and the Crimea, Ukraine and Turkey, Kiev.
- Chekanovsky (A.A.), Chmil' (L.V.), Pipes from the excavations of Gonchariv-Kozhummyak (in Kyiv-Podil), The Eastern European archeological magazine. Kiev, 2000.
- Goncharova (S.M.), Goncharov (M.Yu.), Yermolayenko (M.V.), Maslovsky (A.N.), Minaev (A.P), Archeological researches in Azov in 2012, HERALD in 2012, Issue 28, Azov, 2014.
- Gosse (Ph.), Les pipes de l' Empire Ottoman, 2005. <http://pagesperso-orange.fr/philippe.gosse/otto/ottoman.htm>.
- Gusach (I.R.), Close complexes with the “Turkish” tobacco pipes from Azov, HARALD in 2001, Issue 18, Azov, 2002.
- Gusach (I.R.), The archeological researches on the territory of the Turkish fortress Azak, HARALD in 2004, Issue 21, Azov, 2006.
- Gusach (I.R.), The Ottoman tobacco pipes from the excavations in the Azak fortress, The new researches of the Cossack period memorials in Ukraine, Issue 22, Ch.I, Kiev, 2013.
- Gusach (I.), New finds from the excavations of the Turkish fortress Azak, 4-th International Congress of Eurasian Archaeology, 1-5 october-2012, Agsu-Azerbaijan, Baku, 2015.
- Hayes (J.W.), Turkish clay pipes: a provisional typology, The archaeology of the clay tobacco pipe, IV, Europe Oxford: BAR IS, Vol. 92, 1980.
- Humphrey (J.W.), The Turkish clay smoking pipes of Mytilene, Society for clay pipe research, Newsletter, 26 april, 1990.

- Ionașcu (I.), Zirra (V.), Mănăstirea Radu Vodă și biserica Bucur, Capitolul II, București de odinioară în lumina săpăturilor arheologice, București, 1959.
- Kazakova (L. M.), The report on the works of the Azov Museum-Reserve during the observations of the excavation works in Azov in 1961 (The AMR Archives), Azov, 1962.
- Kovalenko (O.), Clay pipes of XVII-XVIII centuries (on the materials of the Poltava region), The academic series of the “Ukrainian ceramics studio”, Issue 1, Opishnya, 2008.
- Kravchenko (E.E.), Dukhin (A.I.), Ceramics pipes and fine plastic arts of the Kazachya Pristan’ settlement (Cossack Warf), Interethnic cultural connections in Donbass: history, ethnography, culture, Donetsk, 2000.
- Kravchenko (S.A.), The report on the archeological explorations in Azov, Rostov region, in 29 Suvorova street and Moskovskaya street areas in 2009 (The AMR archives), Azov, 2010.
- Kravchenko (S.A.), Shyrochenko (E.B.), Goncharova (S.M.), Excavations in Azov in 2010, HERALD in 2010, Issue 26, Azov, 2012.
- Kharalambieva (A.), Pipes and chibouks from the City Museum in Provadia, Folk Museum Information, Vol.22 (37), Varna, 1986.
- Kopeczny (Z.), Dincă (R.), Tobacco Clay Pipes Discovered in the Historical Center of Timișoara, Ziridava Studia Archaeologica, 26/1, Editura MEGA, Cluj-Napoca, 2012.
- Maslovsky (A.N.), The report on the rescue excavations of the I Azov team in the area of a private dwelling house in 15 Engelsa street, Azov in 1998 (The AMR Archives), Azov, 1999.
- Maslovsky (A.N.), The works of the I Azov team in 1998, HARALD in 1998, Issue 16, Azov, 2000.
- Maslovsky (A.N.), Excavations in Azov, HARALD in 2001, Issue 18, Azov, 2002.
- Maslovsky (A.N.), The report on the rescue archeological excavations in Azov in 2008 (The AMR archives), Vol. 1, Azov, 2010.
- Özer (M.), Edirne yeni saray (saray-ı cedid-ı amire) kazısı 2012 yılı çalışmaları, (2012). (<http://edirnesarayi.bahcesehir.edu.tr/docs/kazi2012.pdf>).
- Peyssonnel (K.), “The Treatise on the trade in the Black sea” (“Traite sur le Commerce de la Mer Noir”), Adygeis, Balkarians and Karachais in the studies of the European authors of XIII-XIX centuries, Nalchik, 1974.
- Rehab Shaban Gad, Adwat Al Tadhken fe Masr fe Alkarn (13-19), Magester, Adab Ean Shams, Cairo, 2015.
- Rebrova (R.V.), White clay tobacco pipes in the collection of the State Hermitage, Studies of the State Hermitage, Saint-Petersburg, 2011.
- Robinson (R.), Tobacco pipes of Corinth and of the Athenian Agora, Hesperia, Vol. 54, no. 2, 1985.
- Robinson (R.), Clay tobacco pipes from the Kerameikos, Mitteilungen des Deutschen Archäologischen Instituts Athenische Abteilung, Bd. 98, Berlin, 1983.

- Stancheva (M.), Medarova (S.), Our manufacture of clay pipes, The museums and monuments of culture, №4, Sofia.
- Stancheva (M.), Nikolova (T.), New researches of the clay pipes from Serdika, Archeological materials and researches, Sofia, 1989.
- Stancheva (M.), The collection of the pipes from the Varna Museum, Folk Museum Information, Vol. VIII (XXIII), Varna, 1972.
- Shyrochenko (E.B.), Maslovsky (A.N.), Archeological researches in Azov and explorations in Azov district in 2009, HERALD in 2009, Issue 25, Azov, 2011.
- Todorov (V.), Ceramics pipes from «Sexaginta Prista» at the end of XVIII – the beginning of XX centuries, Information of the Regional Historical Museum of Ruse, Vol. XI, Ruse, 2007.
- Volkov (I.V.), Turkish tobacco pipes from Anapa and from “The Treatise on the trade in the Black sea” (“Traite sur le Commerce de la Mer Noir”) by the French traveller Charles de Peyssonnel, The Antique civilization and the barbaric world, Novocherkassk, 1994.
- Volkov (I.V.), Novikova (G.L.), Red clay “Turkish” tobacco pipes in the collection of Moscow Historical Museum, The archeological monuments of Moscow and the Moscow Area, Moscow, 1996.
- Volkov (I.V.), The private collection of the “Turkish” tobacco pipes from Moscow, Material culture of the East. Moscow, 1999.

مجموعة من مجامر الشبُّك العثمانية المحفوظة في متحف أزوف للأثار بروسيا

د. وليد على خليل •
إيرينا رودالفوفنا جوساتش ••

الملخص:

الشبُّك: في التركية "جُبوق" و "جوبوق" بالجيم المشربة وفيها: الأنبوبة، والعصا، والماسورة، والقصبه، وشبُّك الدخان عبارة عن أنبوبة في أحد طرفيها مبسم، وفي الطرف الآخر مجمرة أو حجر يوضع بها التبغ والفحم، أى أن شبك الدخان يتكون من ثلاثة أجزاء، هي: الفم ويُطلق عليها التركيبية أو المبسم، والقصبه ويطلق عليها العود أو الأنبوبة، والحجر، الذي يُعرف أيضاً بالمجمره، كما عرف الشبك أيضاً باسم الغليون، والجمع: غلايين، وغلاويين.

ويذخر متحف مدينة أزوف للأثار بروسيا الاتحادية بالعديد من مجامر الشبُّك المصنوعة من الفخار ما بين قطع مكتملة وأخرى مهشمة تتعدى في عددها الألف قطعة، جميعها مستخرجة من الحفريات التي أجريت في قلعة أزاك العثمانية والمنطقة المحيطة بها (منطقة أزوف القديمة)، والتي لم يتطرق لها أحد من الباحثين بالدراسة العلمية السليمة سواء بتأريخها أو بدراسة وصفية وتحليلية متأنية.

وأكثر من ٨٠ % من مجامر الشبُّك المكتشفة في هذه المنطقة يمكن نسبتها للمسلمين الأتراك، تلك التي تم تصنيعها على يد الصناع والحرفيين الأتراك على أراضي الإمبراطورية العثمانية المترامية الأطراف في ذلك الوقت (الأناضول، القرم، البلقان)، والتي كانت تستخدم على نطاق واسع في الحياة اليومية الخاصة من قبل الحامية العسكرية للقلعة التركية أزاك.

وبصفة عامة فإن مجامر الشبُّك المكتشفة في منطقة أزوف على يد علماء الآثار الروس والتي تم استخراجها تؤرخ في الفترة من القرن ١١هـ-١٧م حتى بداية القرن ١٣هـ-١٩م، أما المجموعة موضوع الدراسة والتي عثر عليها في أربعة مواقع مختلفة (ثلاثة حفر ومقبرة) خلال الفترة من ١٩٩٨ وحتى ٢٠٠٤م، ويمكن تأريخها وفقاً للعمليات المعدنية التي عثر عليها بجوارها بنهاية القرن ١١هـ-١٧م، ونهاية القرن ١٢هـ-١٨م.

• أستاذ مساعد ورئيس قسم الآثار الإسلامية، كلية الآثار جامعة الفيوم، مدير مركز تنمية قدرات أعضاء هيئة التدريس بجامعة الفيوم، مصر. walid.ali@favoum.edu.eg

•• خبير علمي وآثارى بمتحف أزوف للأثار - روسيا

irinagusach3005@gmail.com

وتُعد هذه المجموعة من أهم النماذج التي تعبر عن روعة الفن الإسلامي في هذه المناطق بما تحمله من كتابات عربية عبارة عن توقيعات لبعض الصناع أو عبارات ذات صلة بالشُبُك، وكذلك والنقوش والزخارف الإسلامية ورسوم الوريدات والزهور التي تنوعت بين زهرة التبوليب والنرجس والزنيق والأقحوان، كما اختلفت أحجامها وأبعادها فمنها الصغير الحجم بأبعاد (٣.٨ × ٢.٣ سم) ومنها الأكبر نسبياً بأبعاد (٦.٠ × ٤.٢ سم).

الكلمات الدالة:

الإمبراطورية العثمانية، قلعة أزاك، أزوف، مجامر الشُبُك، القرن السابع عشر، بداية القرن التاسع عشر، علم الآثار.