

FACTORS AFFECTING A MECHANICAL COATING OF SESAME SEEDS

Alaa H. A. Mohamed⁽¹⁾

ABSTRACT

The aim of this research is to study the factors affecting a mechanical coating of sesame seeds. These factors are coating speed, temperature and time, and seed batch. The main results in this study can be summarized in the following points:

- * The maximum sesame-seed germinations of 55.1, 65.3 and 55.8 % by using coating-unit speed of 28 rpm, coating time of 15 minute, coating temperature of 30 C° and coating with “Fe + Zn”, “Fe + Zn + Cersan” and clay respectively. Meanwhile, the minimum sesame-seed germinations of 2.1, 6.3 and 4.4 % by using coating-unit speed of 36 rpm, coating time of 65 minute, coating temperature of 70 C° and coating with the same constitutions respectively. The germination of sesame-seeds without coating was 50.1 %.*
- * The maximum machine capacity of coated sesame-seeds of 4.2 kg/h was obtained using seeds-batch mass of 2.5 kg and coating-unit speed of 36 rpm. Meanwhile, the minimum machine capacity of coated sesame-seeds of 0.85 kg/h was obtained using seeds-batch mass of 0.5 kg and coating-unit speed of 20 rpm.*
- * The operation and production costs at optimum parameters (batch mass of 2.5 kg, coating-unit speed of 28 rpm, coating temperature of 30 °C, coating time of 15 minutes and coating with “Fe + Zn + Cersan”) were 10.63 L. E./h and 3037 L.E./ton.*

INTRODUCTION

Seeds vary greatly in size, shape and color. In many cases, seed size is small or irregular, making singularization and precision placement difficult. In addition, seeds should be protected from a range of pests that attack germination seeds or seedlings. Seed-coating technologies can be employed for two purposes:

(1) Researcher. Ag. Eng., Res. Inst.

They can facilitate mechanical sowing to achieve uniformity of plant spacing, and can act as a carrier for plant protectants. So materials can be applied in the target zone with minimal disruption to the soil ecology and environment (Taylor et al., 1998).

Film coating is a method adapted from the pharmaceutical and confectionery industries for uniform application of materials to seeds. The film forming formulation consists of a mixture of polymer, plasticizer and colorants (Halmer, 1998 and Robani, 1994), and formulations are commercially available that are ready-to-use liquids or prepared as dry powders (Ni, 1997). Application of the film-forming mixture results in uniform deposition of material on each seed with little variation among seeds (Halmer, 1998). The formed film may act as a physical barrier, which has been reported to reduce leaching of inhibitors from seed coverings and may restrict oxygen diffusion to the embryo (Duan and Burris, 1997).

A standard pelleting pan has been adapted for application of film-coating polymers, and drying is achieved by applying forced warm air into the coating pan (Taylor and Eckenrode, 1993). A small-scale fluidized bed seed-coating apparatus has been described with controlled air velocity and temperature (Burris et al., 1994). Film coating is routinely performed in vented or perforated pans on a large-scale basis either on a batch or continuous system (Halmer, 1998 and Robani, 1994).

Film coating is versatile as a coating system or a component of a coating system. Colorants as aesthetic appeal to seeds, serve to color-code different varieties and increase the visibility of seeds after sowing. Film-coated seeds have better flow characteristics in the planter (Hill, 1997) due to reduced friction between seeds. Film coating provides an ideal method for the application of chemical and / or biological seed treatments (Taylor et al., 1994 and McGee, 1995). Relatively high loading rates of plant protectants can be applied with film coating. However a spatial separation between the plant protectants and seed surface is not obtained as described for pellet loading. A major impetus for using film coating is to reduce exposure of workers to chemicals from treated seeds.

The cultivated area of sesame reached about 65 thousand feddan in 2005 that produces about 388 thousand ton per year (Agricultural Statistics Economic Affairs Sector, 2006).

El-Habbal et al. (1995) proved that coating sesame seeds with fertilizer containing Fe, Mn and Zn (2:1:2 by weight) at the rate of 6.5 g/kg seeds gave significant increments in number of spikes/plant, grain mass/plant and both grain and straw yields/fed. Rehm (2003) found that coating the soybean seeds with iron increased the yield from 2.1 to 11.7 bu/acre compared with the seeds without iron applied. Yehia (2008) concluded that the optimum conditions of coating machine were: coating-unit speed of 28 rpm, coating temperature of 40 C°, heat exposure time 30 min, Arabic-gum temperature and concentration 50 – 110 C° and 25 – 75 %, and grain-batch mass 1 – 4 kg. The results obtained at optimum conditions were: germination of coated wheat-grain = 98.1 %, coating-machine performance = 3 – 12 kg/h, mass of 1000 coated-grain = 95.7 – 98 g, external and internal friction-angles = 18 – 20.5 and 21 – 23.5 degree, by using Fe + Zn coated wheat-seeds: grain emergence = 94.2 %, grain yield = 2186 kg/fed and net profit = 1195 L.E./fed (531 L.E./ton). Yehia et al. (2010) found that the maximum fennel, caraway, coriander, nigella and guar seeds germination of 98.1, 96, 98, 100 and 100 % were obtained with coating temperature of 40 C° and coating time of 30 min. Meanwhile, the minimum fennel, caraway, coriander, nigella and guar seeds germination of 63.38, 61.43, 66.3, 67.76 and 70.2 % were obtained with coating temperature of 70 C° and coating time of 70 min. Abd-Al Fattah (2016) found that the highest germination percentages of 100, 98.5, 97.5 and 99.5 % were obtained at 28 rpm coating speed, 30°C coating temperature and 15 min coating time for onion, pepper, tomato and cotton seeds respectively.

The objective of this paper is to study the factors affecting a mechanical coating of sesame seeds such as coating temperature and duration, coating unit speed, concentrate and seed quantity inside coating unit on seed germination and machine productivity. In addition, study includes the effect of sesame-seeds coating with some trace elements of “Fe + Zn), fungicide of “Cersan 2 %” and clay on germination percent and crop productivity.

MATERIALS AND METHODS

The designed coating machine:

The coating machine used in this study was designed by Abd-Al Fattah et al. (2015) and Abd-Al Fattah (2016). Views and photograph of the coating machine are shown in figs. 1 and 2. The main specifications of this machine are: total height 60 cm, width 50 cm, depth 40 cm, and total mass 18 kg. The main coating machine parts are as follows:

- (1) **Frame:** made of steel sheet with thickness of 2 mm, height of 50 cm, width of 40 cm and depth of 50 cm.
- (2) **Coating pan or unit:** made of copper sheet with thickness of 3 mm. The coating pan has an elliptical shape with diameter of 35 cm, depth of 35 cm and with feeding opening of 22 cm diameter.
- (3) **Coating-unit shaft:** The coating-unit shaft is made of steel with diameter of 20 mm and length of 100 mm. The first edge of coating-unit shaft welded with a flange. The flange of 100 mm diameter is connected with the coating unit by 4 bolts of 10 mm diameter. The second edge of coating-unit shaft has a cut with 30 mm length. The cut-shaft part was interfered with the same slot in a ring welded inside the flange of the coating pan. The ring height is 30 mm.

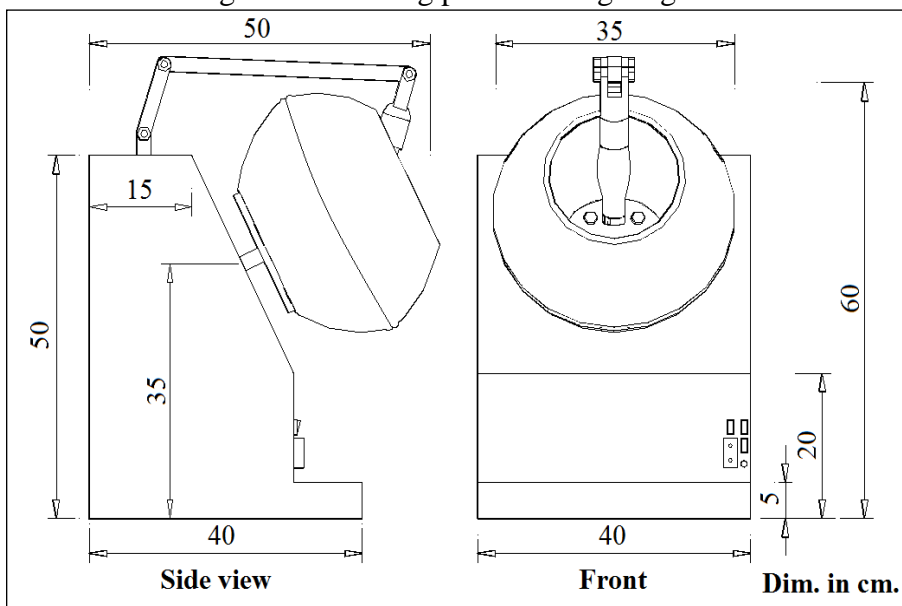


Fig. 1: Views of a seed-coating machine Abd-Al Fattah et al. (2015) and Abd-Al Fattah (2016).



Fig. 2: Photograph of the seed-coating machine Abd-Al Fattah et al. (2015) and Abd-Al Fattah (2016).

(4) Hot-air dryer: The hot-air dryer consists of case, electric motor, fan, and heater. The hot-air dryer is attached with coating-machine frame by two hinged links to enter and exit it inside or outside the coating pan. The main dimensions of the hot-air dryer are: diameter of 35 mm and length of 180 mm. Section of hot air-dryer is shown in fig. 3. The specifications of hot-air dryer are:

Type: hair dryer.

Made in: China.

Power: 500 Watt.

Power source: alternating current.

Thermal fuse: Threaded heat-wire.

Air speed: more than 0.5 m/s.

Temperature: 40 – 45 °C.

Mass: 390 g.

The dryer-motor specifications are:

Model number: TRS-385SP.

Size: 22.7 x 37.8 mm

Voltage range: 3.6 – 30 V. Voltages are varied by rjoostat.

Speed: 1500 – 2000 rpm. Speeds are varied by voltages variation.

Torque: 90 – 1000 N.cm.

- (5) **Two hinged-links:** Two hinged links connect the hot-air dryer with coating-machine frame. The two hinged links are used to enter and exit the air dryer inside or outside the coating pan and adjust the distance between seeds and hot-air dryer head. The two hinged-links are made of plastic tube with diameter of 40 mm and thickness of 3 mm. The first link which connects with the air dryer has 200 mm length. The second link which connects with seed-coating frame with 200 mm length.

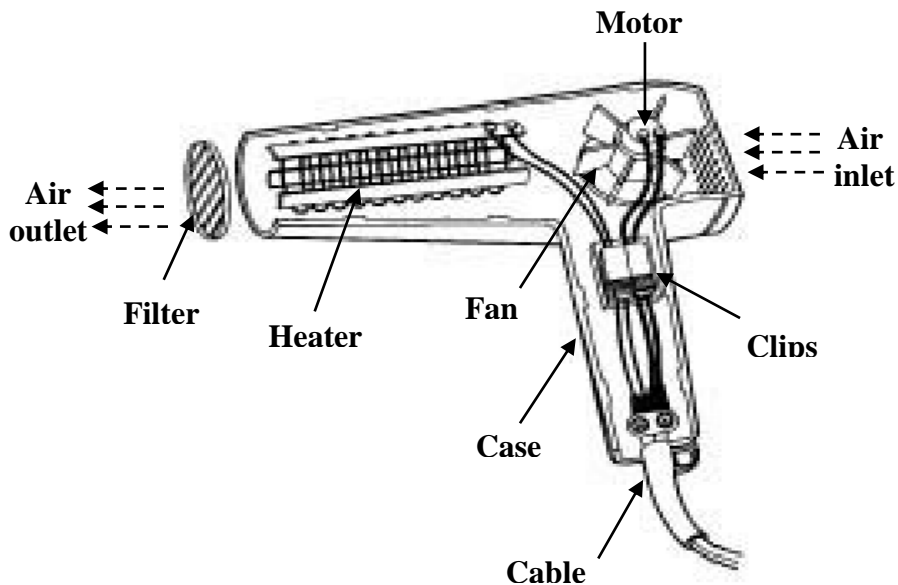


Fig. 3: A section sketch of hot air-dryer.

- (6) **Power unit:** Power unit consists of DC-motor, transformers, bridge, switches and electric cables. Power circuit is shown in fig. 4.

- **DC-motor:** DC motor specifications are shown in table 1.

- **Transformer:** Two transformers were used to obtain the voltages which gave the tested coating speeds. The first transformer gives 6 and 12 volts. The two negative and positive edges of 6 volts are connected with a switch which gives a coating-unit speed of 20 rpm. Also, the two negative and positive edges of 12 volts are connected with a switch which gives a coating-unit speed of 36 rpm. Meanwhile, the second transformer gives 18 volts. The two negative and positive edges of 9 volts are connected with a switch which gives a coating-unit speed of 28 rpm. Transformer specifications were shown in table 2.
- **Bridges:** changes alternating to direct current.

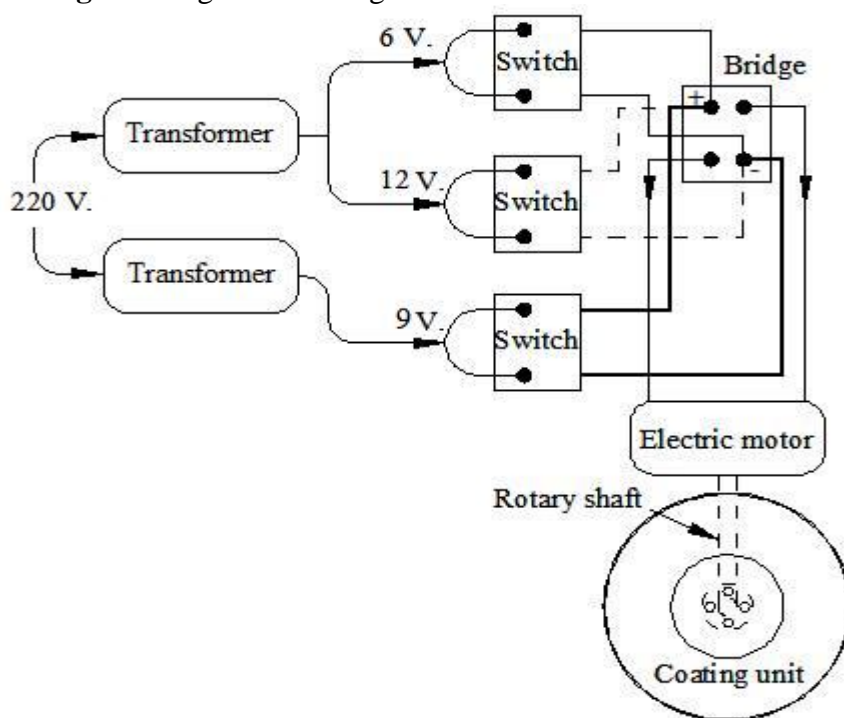


Fig. 4: Electrical circuit of seed-coating machine.

Table 1: Specifications of the DC motor with gear box of 25 : 1 speed ratio.

Model:	GMX -8 PVO 248 .		
Made in:	Japan.		
Voltage:	6	9	12
Speed, rpm.	20	28	36

Table 2: Specifications of used transformers.

First Transformer	Type	PF 4025 K.002	Made in Germany
First	Input	220 - 240 v	
	Out put	6 V - 2.6 A	
		12 V - 1.6 A	
TF	130 °C		
Second Transformer	Type	PF 4025 K.002	Made in Germany
	Input	220 - 240 v	
	Out put	9 V - 2.6 A	
	TF	130 °C	

Seed variety: “Giza 138” was used in the experimental tests.

Coating materials:

- **Chemicals:** The tested chemicals were: Fe, Zn elements and “Cersan.2 %” fungicide. Chemicals sesame-seeds ratio of 5g/kg was used.
- **Clay:** 0.5 liter water was mixed with 1 kg clay to compose the mud for coating. Mass of 300 g mud was used to coat 1 kg sesame seeds for each layer. After coating by first layer, the seeds were cooled in the open air. Then, the second and third coating layers were done by the same procedure.
- **Arabic gum solution:** 75 % concentration was used (according to Yehia, 2008).

Grain batches: 0.5, 1, 1.5, 2 and 2.5 kg were used.

Coating times: 15, 25, 35, 45, 55 and 65 minutes were used.

Coating-unit speeds: 20, 28 and 36 rpm were used.

Coating steps:

- (1) Each chemical powder: fertilizer “Fe and Zn” and fungicide “Cersan 2%” were mixed with wheat flour powder in the ratio of 5 g/kg
- (2) The wheat flour powder of 0.5 kg was spread inside the rotated coating pan (unit) which was heated by hot-air dryer. The

temperature of coating pan and seeds was controlled by heat-control button and the distance between seeds and dryer head.

- (3) The sesame seeds batch was spread inside the rotating coating pan.
- (4) Arabic-gum solution with 75 cm³ volume was spread on the seeds inside coating pan.
- (5) The seeds were agitated by hand to distribute the Arabic gum.
- (6) The mixture of chemicals and wheat flour powder of about 70 g was spread directly after then.
- (7) The seeds were agitated by hand to distribute the mixture powder to add it as a layer around the seeds.
- (8) The steps from 4 to 7 were repeated until finishing the entourage (first) layer. The entourage layer needs 1 : 2 mixture powder grain ratio.
- (9) The seeds exit from coating pan and were spread in the air to dry.
- (10) The dried coated-seeds were put inside coating pan.
- (11) The steps from 4 to 7 were repeated until finishing the jacket layer. The jacket layer needs 0.3 : 1 wheat-flour powder seed ratio.
- (12) The seeds exit from coating pan and were spread in the air to dry.

Germination test: Germination test was conducted by using 100 seeds which was planted in foam bins with 100 eyes, temperature range from 37.9 to 40 °C, light intensity 210 (fot-candle) and Relative humidity “RH” of 85 %. The seed germinations were measured after 7 – 10 days at different tested parameters.

Estimating the machine capacity: Seed-coating machine capacity calculated by using the following equation:

$$P_m = W / T \tag{1}$$

Where

P_m = Machine capacity, kg/h, W = Mass of coated seeds, kg and T = Coating time, h.

Solubility in soil: For this study, solubility in soil was determined as the weight of the film that is dissolved after incorporating coated-seeds in soil. A circular film sample was cut from each film, dried at $100 \pm 2^\circ\text{C}$ for 24 h in a laboratory oven, and weighed to determine the initial dry weight. The solubility in soil of the different composite films was measured by incorporating coated-seeds in soils with moisture contents of 10, 20, 40, 60, 80 and 100 % and incorporated times of 6, 12, 18, 24 and 30 h. After that period, the remaining pieces of film were taken out and dried at $100 \pm 2^\circ\text{C}$ until constant weight (final dry weight). The percentage of the total soluble matter “TSM” of the films was calculated using the following equation: This test for each type of film are carried out in three replicates and average reported (Gontard et al., 1994).

$$\text{TSM, \%} = \frac{\text{Initial dry weight} - \text{Final dry weight}}{\text{Initial dry weight}} \times 100 \quad \dots (2)$$

The yield: The crop yields were evaluated by taking 4 samples (1 m² area) randomly selected from each plot. The plants were collected manually and then weighed.

(3) Power requirement and specific energy.

The power requirement of DC motor was calculated according to Kurt, 1979 by using the following equation:

$$P = I \times V \quad \dots (3)$$

Where:

P = Power requirement for the seed-coating machine in W,

I = Line current strength in amperes,

V = Potential difference (Voltage) being equal to 6, 9 and 12 V,

The Specific energy was calculated by using the following equation:

$$\text{Specific energy, kW. h/ton} = \frac{\text{Power, kW}}{\text{Machine capacity, ton/h}} \quad \dots (4)$$

Estimating the costs of using the machine: Cost of operation was calculated according to the equation given by Awady (1978), in the following form:

$$C = p/h (1/a + i + t/2 + r) + (Ec * Ep) + m/144 \quad \dots (5)$$

Where: C = hourly cost, p = price of machine, h = yearly working hours, a = life expectancy of the machine, i = interest rate/year, t = taxes, r = overheads and indirect cost ratio, Ec = Electricity consumption kW.h/h, Ep = Electricity price L.E/kW.h, "144" are estimated monthly working hours. Notice that all units have to be consistent to result in L.E/h.

$$\text{Production cost, L.E./ton} = \frac{\text{Operation cost, L.E./h}}{\text{Machine capacity, ton/h}} \dots\dots\dots (6)$$

RESULTS AND DISCUSSION

Effect of coating temperature, time and speed, by “Fe + Zn”, “Fe + Zn + Cersan” and clay on germination of sesame seeds.

Fig. 5 shows the effect of coating temperature, time, speed and material (“Fe, Zn and Cersan” and clay) on sesame-seed germination.

The maximum sesame-seed germinations of 55.1, 65.3 and 55.8 % were obtained by using coating-unit speed of 28 rpm, coating time of 15 minute, coating temperature of 30 C° and coating with “Fe + Zn”, “Fe + Zn + Cersan” and clay respectively. Meanwhile, the minimum sesame-seed germinations of 2.1, 6.3 and 4.4 % were obtained by using coating-unit speed of 36 rpm, coating time of 65 minute, coating temperature of 70 C° and coating with “Fe + Zn”, “Fe + Zn + Cersan” and clay respectively.

The germination of sesame-seeds without coating was 50.1 %.

By increasing coating speed from 20 to 28 rpm the sesame-seed germinations increased by 27.5, 27.3 and 15.2 % for coating with “Fe + Zn”, “Fe + Zn + Cersan” and clay respectively. Meanwhile, by increasing coating speed from 28 to 36 rpm, the sesame-seed germinations decreased by 31.1, 29.8 and 28.6 % for coating with “Fe + Zn”, “Fe + Zn + Cersan” and clay respectively.

By increasing coating time from 15 to 65 minute the sesame-seed germinations decreased by 68.5, 61.4 and 70.3 % for coating with “Fe + Zn”, “Fe + Zn + Cersan” and clay respectively.

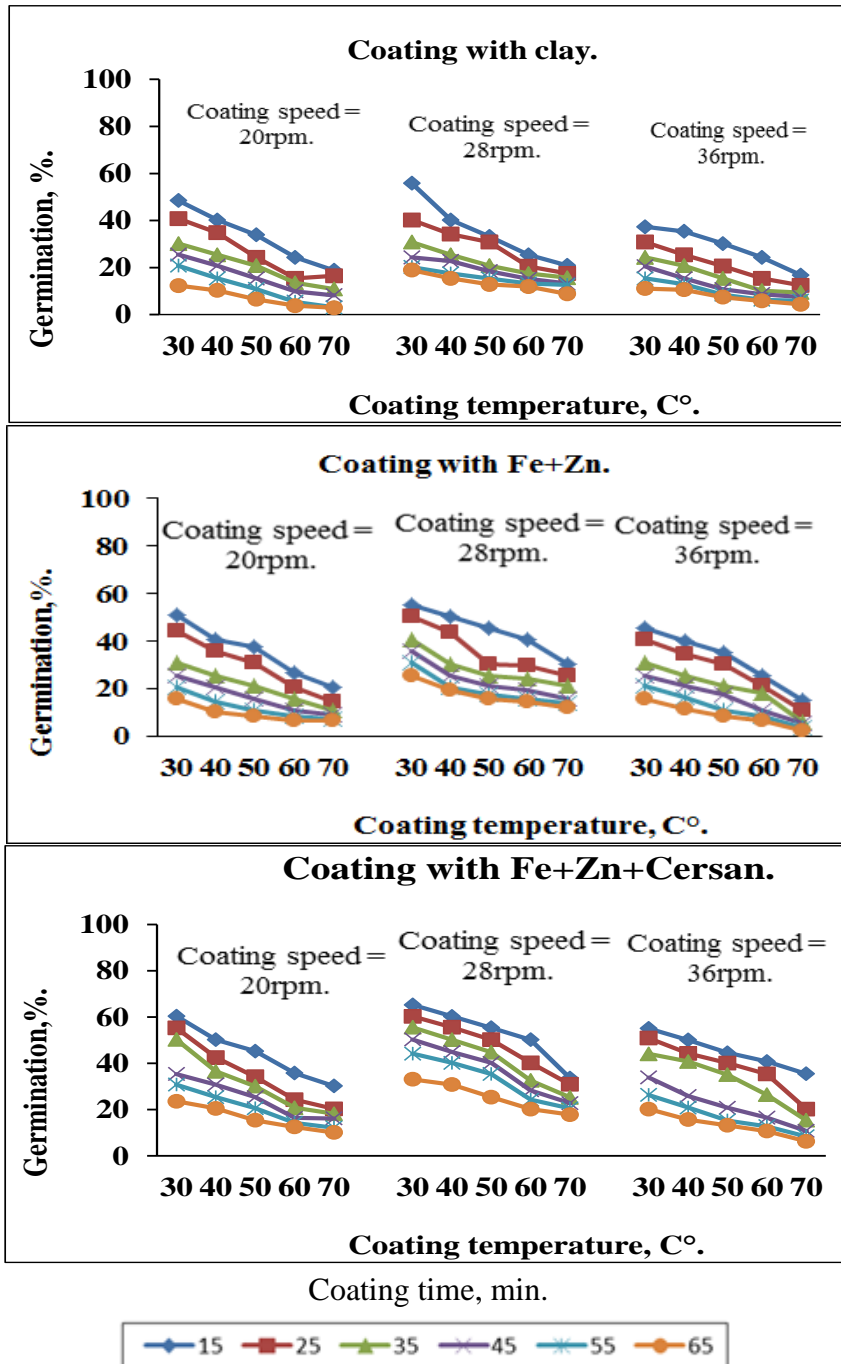


Fig. 5: Effect of coating temperature and time, by “Fe + Zn”, “Fe + Zn + Cersan” and clay on sesame-seeds germination.

By increasing coating temperature from 30 to 70 °C the sesame-seed germinations decreased by 12.6 – 33.5, 19.7 – 44.2 and 11.4 – 28.2 % for coating with “Fe + Zn”, “Fe + Zn + Cersan” and clay respectively.

Seed germination increase by coating with “Fe + Zn + Cersan” may be due to feeding seed-embryo by “Fe + Zn” and fungicide protection by “Cersan” through seed-germination period.

Increasing germination using seed heat-treatment at 30 °C may be due to activate seed embryo and accelerating seed germination. .Seed witting by Arabic gum and heating by hot air through seed-coating process is similar to “vernalization” phenomenon which encourages germination and plant flowering.

Decreasing seed-germination at coating-temperature range of 50 - 70 °C and coating time 60 - 65 minute may be death to die of some embryo seeds.

Effect of coating-unit speed and seed-batch mass on coated-seeds machine capacity.

Fig. 6 shows effect of coating-unit speed and seed-batch mass on machine capacity of coated sesame-seeds.

The machine capacity of coated sesame-seeds increased by 14.09 % by increasing coating-unit speed from 28 to 36 rpm. Meanwhile, the machine capacity of coated sesame-seeds increased by 57.1 % by increasing seeds-batch mass from 0.5 to 2.5 kg.

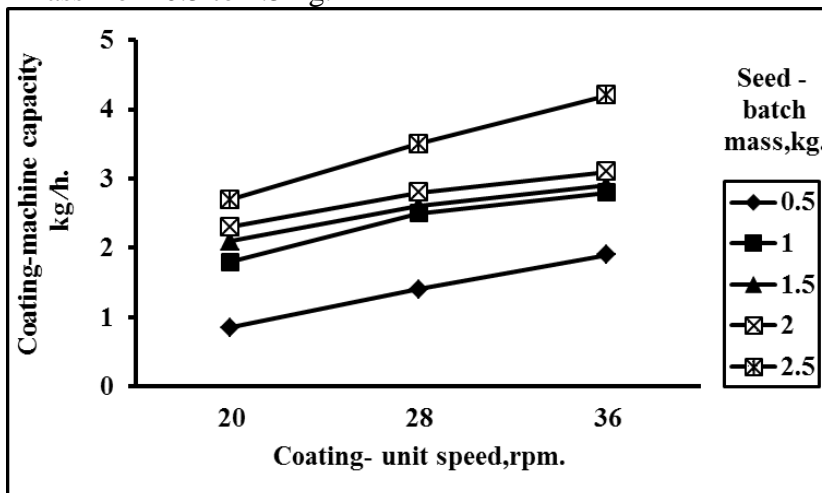


Fig. 6: Effect of coating-unit speed and sesame-seed batch mass on coated-seeds machine capacity.

The maximum machine capacity of coated sesame-seeds of 4.2 kg/h was obtained using seeds-batch mass of 2.5 kg and coating-unit speed of 36 rpm. Meanwhile, the minimum machine capacity of coated sesame-seeds of 0.85 kg/h was obtained using seeds-batch mass of 0.5 kg and coating-unit speed of 20 rpm.

Decreasing machine capacity of coated sesame-seeds at coating-unit speed of 20 rpm is due to increased un-coated seeds after coating process. Meanwhile, increasing machine capacity by increasing coating-unit speed is due to decreasing the coating time.

Physical and mechanical properties of sesame seeds before and after coating at optimum parameters.

Tables 3 and 4 show physical and mechanical properties of sesame-seeds before and after coating at optimum parameters of batch mass of 2.5 kg, coating-unit speed of 18 rpm, coating temperature of 30 °C, coating time of 15 minutes and coating with “Fe + Zn + Cersan”.

Table 3: Physical properties of sesame-seeds before and after coating at optimum parameters of batch mass of 2.5 kg, coating-unit speed of 28 rpm, coating temperature of 30 °C, coating time of 15 minutes and coating with “Fe + Zn + Cersan”.

Properties	Before coating				After coating			
	Max.	Min.	Av.	C. V.	Max.	Min.	Av.	C. V.
The mass of 1000 kernel	22.5	16.5	19.5	0.39	44.8	45	44.9	0.04
Real density, kg/ m ³	420	400	410	0.15	450	420	435	0.18
Bulk density, kg/ m ³	392	387	389	0.08	433	410	421	0.16
Dimensions:								
Length, mm.	4.15	3.76	3.95	0.22	4.66	4.43	4.51	0.15
Width, mm	3.46	3.22	3.34	0.18	3.89	3.41	3.65	0.25
Thickness, mm	2.43	2.10	2.3	0.53	2.55	2.31	2.42	0.22
Volume, mm ³	18.3	13.3	15.8	0.39	24.2	18.2	20.8	0.37
Projected area, mm ²	11.2	9.5	10.4	0.28	18.1	15.1	12.9	0.34

Max: maximum, Min.: minimum, Av.: average and C. V.: coefficient of variation.

Tables 3 shows that averages of mass of 1000 kernel before and after coating are 19.5 and 44.9 g. Averages of seed length, width and thickness

before coating were “3.95, 3.34 and 2.3 mm” and after coating were 4.51, 3.65 and 2.42 respectively. Average of bulk and real densities before coating were 389 and 410 kg/m³ and after coating are 421 and 435 kg/m³ respectively. Averages of sesame seed volume before and after coating were 15.8 and 20.8 mm³. Averages of projected area of sesame seeds before and after coating were 10.4 and 12.9 mm² respectively.

Table 3 shows that maximum friction-angle with glass, wood, stainless steel, copper, galv. iron-sheet and iron sheet before coating are 14.12, 20.11, 15.14, 25.32, 13.10 and 16.29 degree respectively and after coating are 19.20, 23.55, 17.88, 28.22, 16.54 and 19.33 degree. Averages of angle of repose before and after coating are 13.6 and 19.1 respectively. Meanwhile, the maximum repose-angles before and after coating are 14.1 and 20.1 degree respectively.

Table 4: Mechanical properties of sesame-seeds before and after coating at optimum parameters of batch mass of 2.5 kg, coating-unit speed of 18 rpm, coating temperature of 30 °C, coating time of 15 minutes and coating with “Fe + Zn + Cersan”.

Properties	Before coating			After coating		
	Max.	Min.	Av.	Max.	Min.	Av.
Angle of repose	14.1	12.2	13.6	20.1	18.1	19.1
Friction angle:						
- Glass	14.12	12.15	13.1	19.20	16.32	17.7
- Wood	20.11	17.13	18.6	23.55	20.76	22.1
- Stainless steel	15.14	13.21	14.4	17.88	16.34	16.65
- Copper	25.32	22.54	23.9	28.22	21.5	24.8
- Galv. iron-sheet	13.10	12.11	12.8	16.54	14.32	15.4
- Iron sheet	16.29	14.31	15.7	19.33	17.84	18.27

Max: maximum, Min.: minimum, Av.: average .and Galv.: Galvanized.

Effect of soil moisture-content, soluble time on coating-film solubility in soil.

Fig. 7 shows the effect of soil moisture-content, soluble time on solubility of coating films for sesame-seeds.

The maximum solubility of coated films for sesame-seeds of 100 % was obtained using soluble time of 30 h and soil moisture-content of 100 %. Meanwhile, the minimum solubility of coated films for sesame-seeds of 24 % was obtained using soluble time 6 h and soil moisture-content of 10 %.

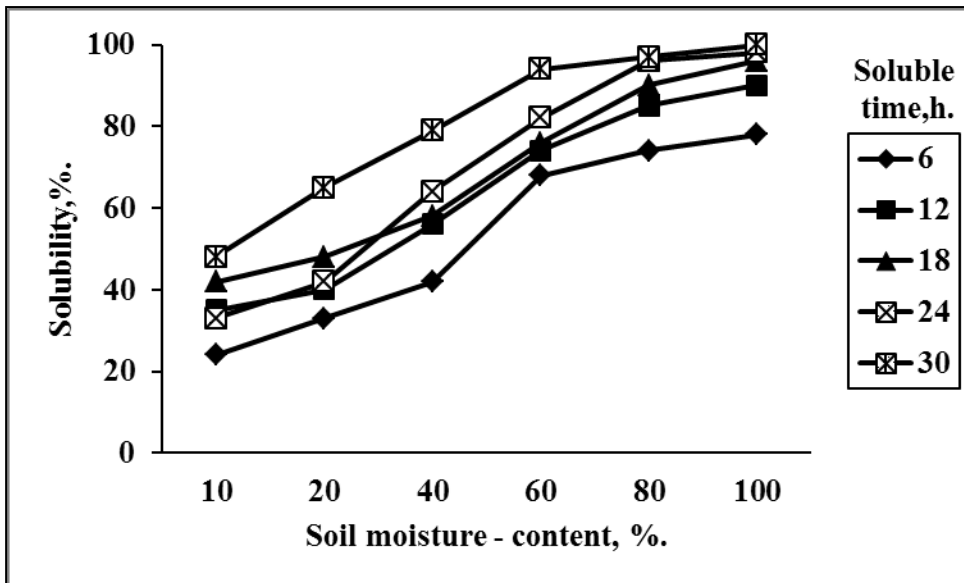


Fig.7: Effect of soil moisture-content, soluble time on coating-film solubility of sesame-seeds.

Effect of coating unit speed on power requirement and specific energy.

Figs. 8 and 9 show the effect of coating-unit speed and sesame-seed batch mass on power requirement and specific energy.

The maximum power and specific energy of 31.2 W and 18.4 kW.h/ton was obtained at coating-unit speed of 36 rpm and seed batch-mass of 0.5 kg. Meanwhile, the minimum power and specific energy of 15.6 W and 5.8 kW.h/ton was obtained at coating-unit speed of 28 rpm seed batch-mass of 2.5 kg.

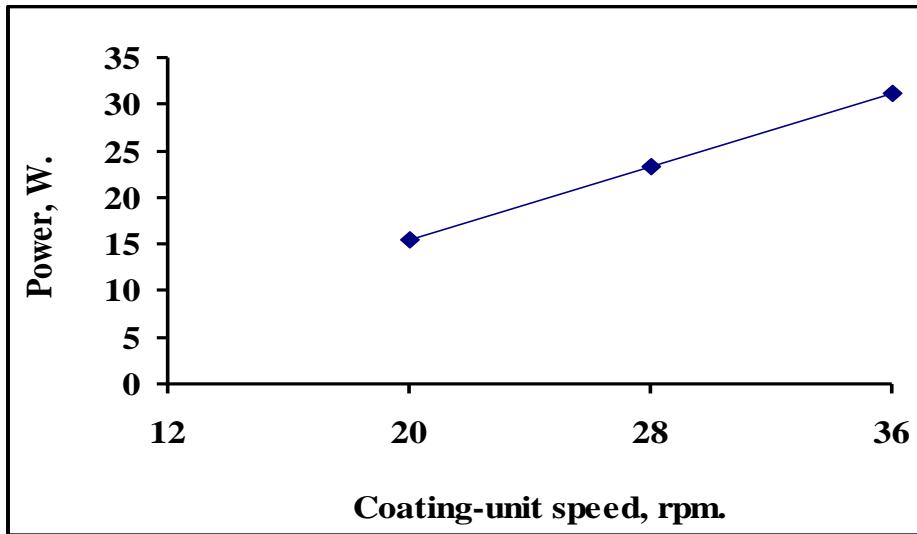


Fig. 8: Effect of coating-unit speed and sesame-seed batch mass on power requirement.

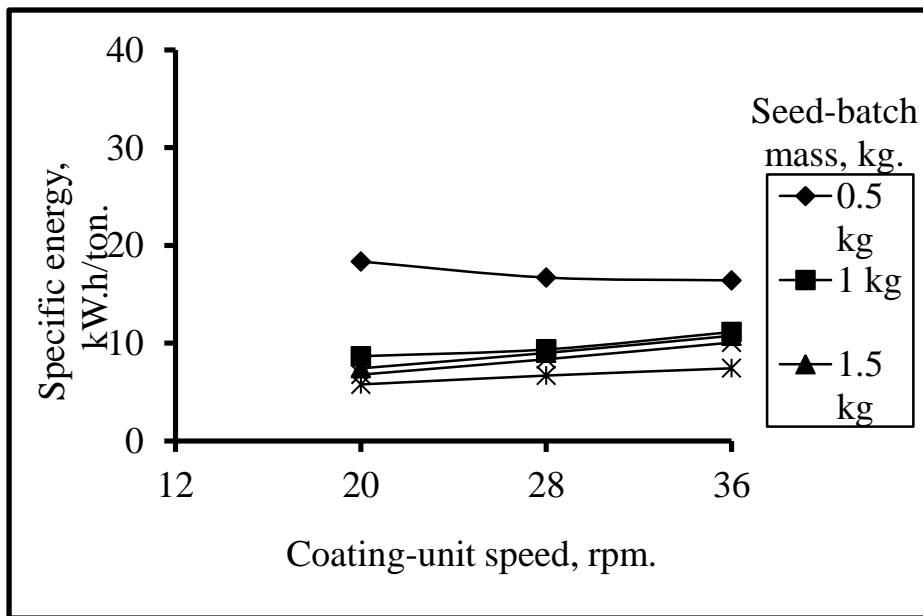


Fig. 9: Effect of coating-unit speed and sesame-seed batch mass on specific energy.

Cost of using the designed a seed coating machine.

Table 5 shows the components of the Awady equation and operation and production costs of using the designed a seed coating-machine.

Table 5: The components of Awady equation.

p, L.E.	h, h	a, year	i	t	r	Ec, kW.h/h	Ep, L.E.	m, L.E
2000	2000	10	0.075	0.05	0.03	0.016 – 0.031	0.30	1500

$$C = 2000 / 2000 \{ (1 / 10) + 0.075 + (0.05 / 2) + 0.03 \} + (0.031 * 0.30) + (1500 / 144) = 10.63 \text{ L.E./h.}$$

The operation and production costs at optimum parameters (batch mass of 2.5 kg, coating-unit speed of 28 rpm, coating temperature of 30 °C, coating time of 15 minutes and coating with “Fe + Zn + Cersan”) were 10.63 L. E./h and 3037 L.E./ton.

The production cost of sesame fruits by using coated seeds with “Fe + Zn + Cersan was about ” 0.98 – 1.18 L. E./kg. Meanwhile, the production cost of sesame fruits by using the traditional seedlings was about 1.27 L. E./kg.

CONCLUSION

The optimum conditions of coating machine were: coating-unit speed of 28 rpm, coating temperature of 30 C°, coating time 15 min, Arabic-gum temperature and concentration 50 – 70 C° and 25 – 75 %, coating with “Fe + Zn + Cersan” and seed-batch mass 2.5 kg. The results obtained at optimum conditions of sesame were: see of 65.3 %, coating-machine capacity = 4.2 kg/h, specific energy = 5.8 kW.h/ton seeds coated and costs of 10.63 L. E./h and 2725.6 L.E./ton.

REFERENCES

- Abd-Al Fattah' Y.A. Bahnasawy, A. A., Yehia, I. and Hassan, T. A. , 2015, Development of a seed-coating machine for pepper crop.,The 20th Annual Conference of Misr Soc. of Ag. Eng.:171-192.
- Abd-Al Fattah' Y.A., 2016, Development of a seed-coating machine for some crops, Ph. D., Ag. And Bio-systems Eng. Dept., Fac. of Agriculture, Moshtohor, Banha Univ.: 17-124.
- Agricultural Economics Issue, 2006, Central Management of Ag. Economics, Ministry of Ag., Egypt: 1 – 5.
- Awady, M. N., 1978, Tractors and farm machines, in Arabic, text. Col. Ag., A. Shams U.: 164-167.
- Burris, J. S., Prijic, L. M. And Chen, Y., 1994, A small-scale laboratory fluidized bed seed-coating apparatus, in Martin, T. (Ed.), Seed Treatment Progress and Prospects, Surrey, British Crop Prot. Council.: 419-423.

- Duan, X. And Burris, J. S., 1997, Film coating impairs leaching of germination inhibitors in sugar beet seeds, *Crop Science* 37 :515-520.
- El-Habbal, M. S.; Osman, A. O. and Badran, M. M., 1995, Effect of some micronutrients fertilizer and transplanting on wheat production in newly reclaimed saline soil, *Annals of Agric. Sc., Ain Shams U., Egypt*, 40(1): 145-152.
- Gontard, N., C. Duchez, B. Cuq, and S. Guilbert. 1994. Edible composite films of wheat gluten and lipids: water vapour permeability and other physical properties. *Food Sci. Technol.* 29:39–50.
- Halmer, P., 1988, Technical and commercial aspects of seed pelleting and film-coating in Martin, T. (Ed.), *Seed Treatment Progress and Prospects*, Surrey, British Crop Protection Council: 191-204.
- Hill, H. J., 1997, New developments in seed technology, *Proceedings of the Oregon Hort. Soc., Portland, Oregon* 88: 123-130.
- Kurt, G., 1979, *Engineering formulas*, 3rd Ed., MacGraw Hill Book N. Y.
- McGee, D. C., 1995, Advances in seed treatment technology, Technical report no. 11, in McNicoll, A. (Ed.) *Proc. Asia and Pacific Seed Assoc., New Delhi, APSA.* :1-14
- Ni, B. R., 1997, Seed coating, film coating and pelleting, pp 737-747 in *Chinese Assoc. of Ag. Sci., DDA, Minis. of Ag., PR China and China Nat. Seed Group Cooperation, (ED.), Seed industry and ag. Dev., Beijing, China Ag. Press.*
- Rehm, G., 2003, Tactics to reduce yield loss from iron deficiency chlorosis, Dept. of Soil, Water and Climate, U. of Minnesota, www.plpa.agri.umn.edu/extension/news_releases Net Cite, 19 Nov. 2003: 1-9.
- Robani, H., 1994, Film-coating horticultural seed, *HorTech.* 4: 104-104.
- Taylor, A. G. And Eckenrode, C. J., 1993, Seed coating technologies to apply Trigard for the control of onion maggot and to reduce pesticide application, in *Efforts pertinent to the integrated pest manag. effort at Cornell U., NYS IPM Pub.* 117 : 73-78.
- Taylor. A. G., Harman, G. E. and Nielsen, P. A., 1994, Biological seed treatments using *Trichodrina harzianum* for horticultural crops, *HorTech.* 4: 105-109.

- Taylor, A. G., Allen, P. S., Bennett, M. A., Bardford, K. J., Burris, J. S. And Misra, M. K., 1998, Seed enhancements, Seed Sc. Res. 8, USA: 245-256.
- Yehia, I., 2008, Factors affecting the design of coating machine for crop seeds, Misr J. Ag. Eng., 25(1): 147-159.
- Yehia, I., Eliwa. A. A., El Lithy, A. M., Attallah. M., 2010, Effect of coating temperature and time on germination of some aromatic and medical seeds, Misr J. Ag. Eng., 35(4): 1710-1720.

الملخص العربي

عوامل مؤثرة على التغليف الميكانيكي لبذور السمسم

د. علاء حسن على محمد (١)

يهدف هذا البحث إلى دراسة العوامل المؤثرة على التغليف الميكانيكي لبذور السمسم. وكانت عوامل الدراسة كالتالي: ثلاث سرعات لغرفة التغليف (٢٠، ٢٨، ٣٦ لفة/د)، خمس كميات وجبة (٠,٥، ١، ١,٥، ٢، ٢,٥ كج)، خمس درجات حرارة "٣٠، ٤٠، ٥٠، ٦٠، ٧٠ درجة مئوية"، ست أزمنة تغليف "١٥، ٢٥، ٣٥، ٤٥، ٥٥، ٦٥ دقيقة"، تغليف البذور بمواد "الحديد + الزنك"، "حديد + زنك + سrsan"، طين، دقيق. وكانت أهم النتائج المتحصل عليها كالتالي:

(١) نسبة الإنبات: وجد أن أعلى نسب إنبات لبذور السمسم هي ٥٥,١، ٦٥,٣، ٥٥,٨ % عند استخدام درجة حرارة تغليف ٣٠ م^٠، زمن تغليف ١٥ دقيقة وسرعة ٢٨ لفة/دقيقة والتغليف بـ "حديد + زنك"، "حديد + زنك + سrsan"، طين على الترتيب. بينما وجد أن أقل نسبة إنبات لحبوب السمسم هي ٢,١، ٦,٣، ٤,٤ % باستخدام درجة حرارة تغليف ٧٠ م^٠، زمن تغليف ٦٥ دقيقة وسرعة ٣٦ لفة/دقيقة والتغليف بـ "حديد + زنك"، "حديد + سrsan"، طين على الترتيب. وكانت نسبة الإنبات لبذور السمسم بدون تغليف هي ٥٠,١ %.

(٢) معدل أداء آلة التغليف: تم الحصول على أعلى معدل أداء لآلة التغليف ٤,٢ كج/س عند استخدام الآلة على سرعة تغليف ٣٦ لفة/د، وكمية وجبة الحبوب ٢,٥ كج. بينما تم الحصول على أقل معدل أداء لآلة التغليف ٠,٨٥ كج/س عند استخدام الآلة على سرعة تغليف ٢٠ لفة/د، وكمية وجبة الحبوب ٠,٥ كج.

(٣) معدل الإذابة: وجد أن أعلى معدل إذابة كان ١٠٠ % عند زمن إذابة ٣٠ ساعة ونسبة رطوبة ١٠٠ %، بينما كان أقل معدل إذابة كان ٢٤ % على زمن ٦ ونسبة رطوبة ١٠ %.

(٤) تكاليف تشغيل الآلة: كانت التكاليف المتحصل عليها عند أنسب ظروف (سرعة ٢٨ لفة/د، كمية وجبة ٢,٥ كج، درجة حرارة ٣٠ م^٠، زمن تغليف ١٥ دقيقة، مادة تغليف "حديد + زنك + سrsan" هي ١٠,٦٣ جنيه/ساعة أو ٣٠٣٧ جنيه/طن بذور مغلقة.

(١) باحث ، معهد بحوث الهندسة الزراعية.